



सत्यमेव जयते



Government of West Bengal
Irrigation & Waterways Directorate
Office of the Executive Engineer
Teesta Barrage Division
Oodlabari, Jalpaiguri, Pin – 735222

Memo No. 125

Dated. 23.02.2021

2nd CORRIGENDUM NOTICE OF e-N.I. T No - WBIW/EE/TBD/NIT-03 (e) /2020-21

Circulated vide this office memo No. 80, Date: 05.02.2021

e-Tender ID No. 2021_IWD_324196_1

Name of Work: Fabrication, supply and delivery of steel cover plate (trash rack) for Teesta Barrage site of Teesta Barrage Division under Teesta Barrage Project at Gazoldoba, Block Rajganj, P.S-NJP, Dist- Jalpaiguri.

Due to non incorporation of relevant drawing in earlier Notice of e-NIT No.:- WBIW/EE/TBD/NIT-03 (e) /2020-21 Dated : 05.02.2021 in connection with the above mentioned work drawing have been incorporated.

All Other terms and condition will remain unchanged.

Enclosure: Drawings in connection with the work.

Sd/-
Executive Engineer
Teesta Barrage Division
Oodlabari, Jalpaiguri

Memo No. 125

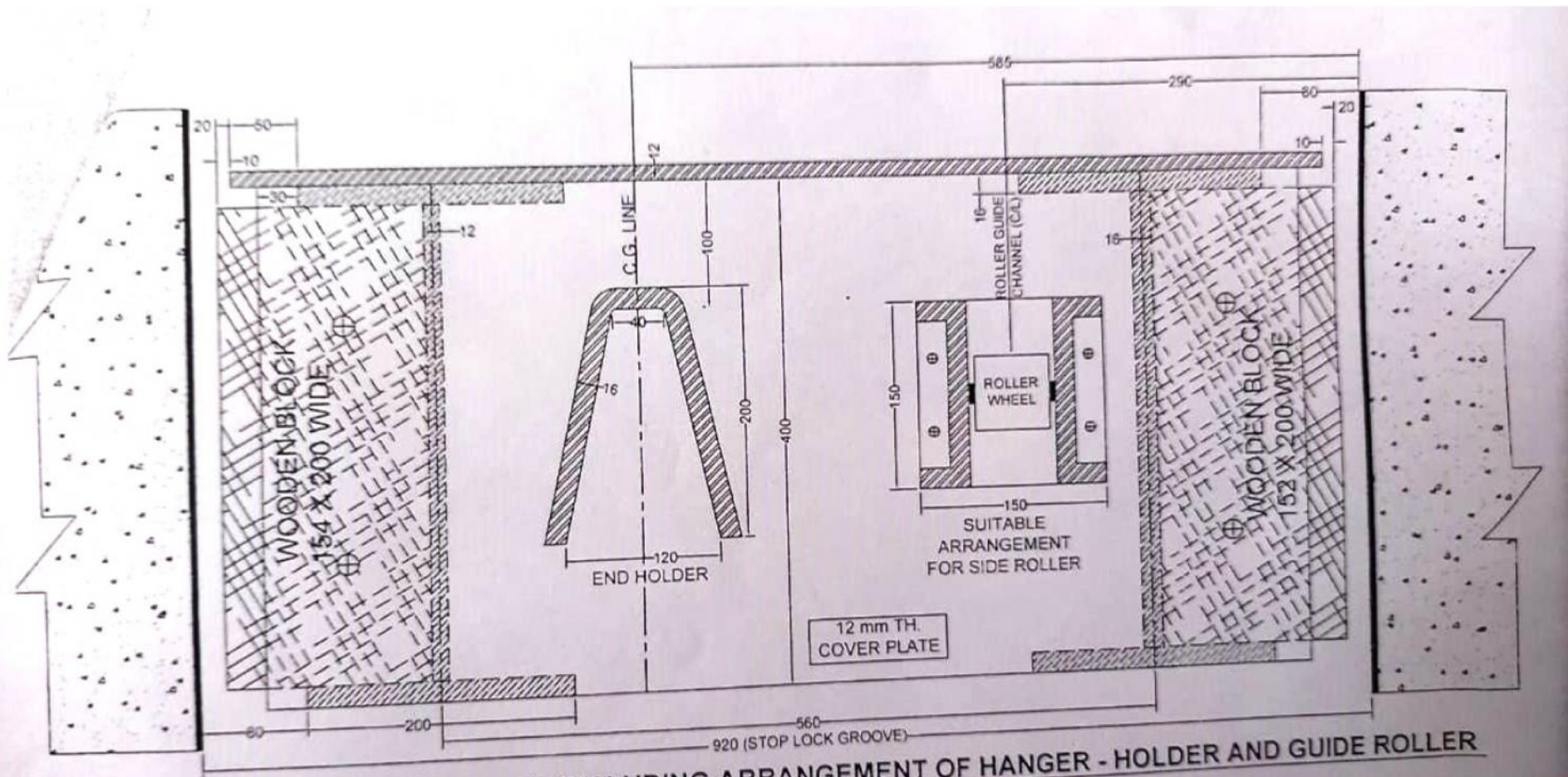
Dated – 23.02.2021

Copy forwarded for favour of kind information and wide circulation to the:-

1. Secretary to the Govt. of West Bengal, Irrigation & Waterways Department, Jalsampad Bhavan, Kolkata-91
2. Chief Engineer, Teesta Barrage Project, 2nd mile, Sevoke Road, Siliguri.
3. Superintending Engineer, Teesta Barrage Circle, 2nd mile, Sevoke Road, Siliguri.
4. Superintending Engineer, Mahananda Barrage Circle, Tinbattimore, Siliguri.
5. Superintending Engineer, North Bengal Mechanical & Electrical Circle, Tinbattimore, Siliguri.
6. Executive Engineer, Teesta Monitoring & Evaluation Division, Siliguri.
7. Executive Engineer, Teesta Quality Control Division, Tinbatti, Siliguri.
8. Executive Engineer, Mahananda Link Canal Division, 2nd mile, Sevoke Road, Siliguri.
9. Executive Engineer, Teesta Barrage Electrical Division, Teesta Administrative Building Tinbattimore, Siliguri.
10. Executive Engineer, Mahananda Barrage Division, Tinbattimore, Siliguri.

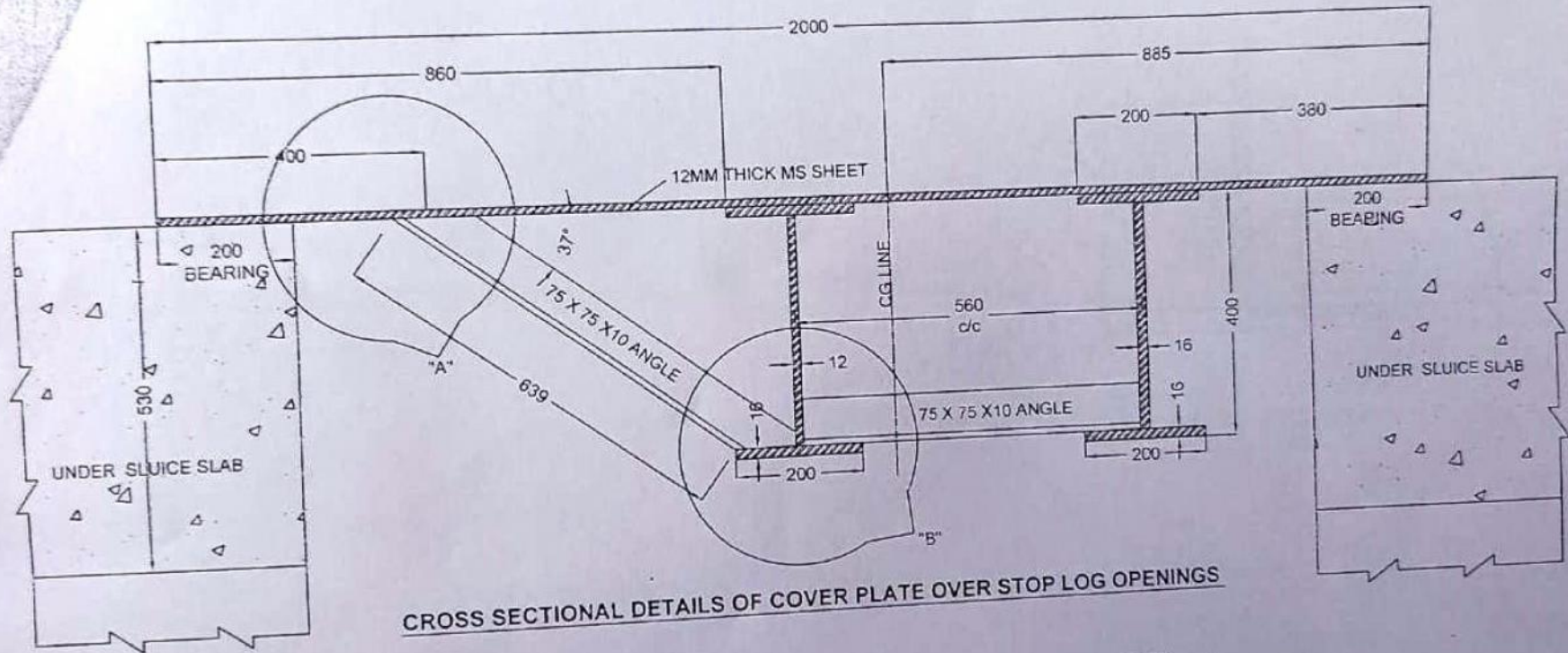
11. Executive Engineer, Teesta Canal Division No.-I, Islampur.
12. Executive Engineer, Teesta Irrigation Division, Assam more, Jalpaiguri.
13. Executive Engineer, Teesta Left Bank Division, Oodlabari, Jalpaiguri.
14. Nodal Officer of e-Tendering, I & WD., Jalsampad Bhawan, 7th Floor, Salt Lake City, Kolkata-700091 with the request to publish the same in the Departmental website.
15. Sub Divisional Officer, Information & Cultural Affairs Department, Jalpaiguri.
16. Divisional Accountant, Teesta Barrage Division, Oodlabari, Jalpaiguri.
17. Sub Divisional Officer, Teesta Barrage Sub-Division No.-I/II/III/IV, Oodlabari, Jalpaiguri.
18. Divisional Estimator, Teesta Barrage Division, Oodlabari, Jalpaiguri.
19. Office Notice Board.

Sd/-
Executive Engineer
Teesta Barrage Division
Oodlabari, Jalpaiguri



END VIEW OF THE COVER PLATE INCLUDING ARRANGEMENT OF HANGER - HOLDER AND GUIDE ROLLER

[Handwritten Signature]
 27/12/2020



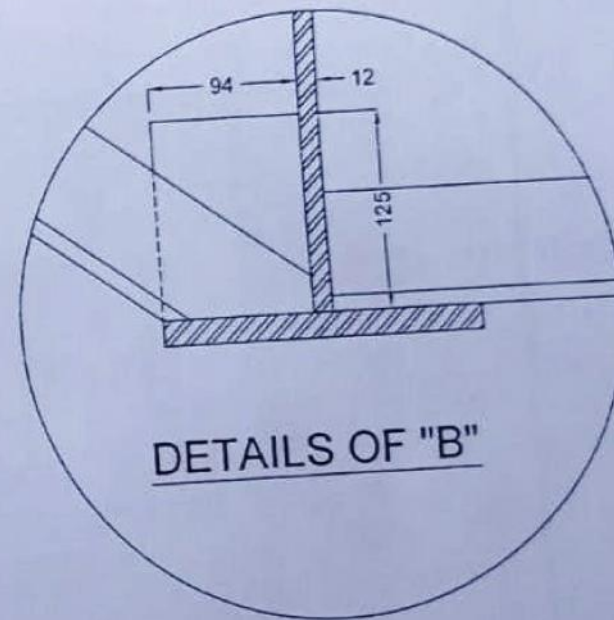
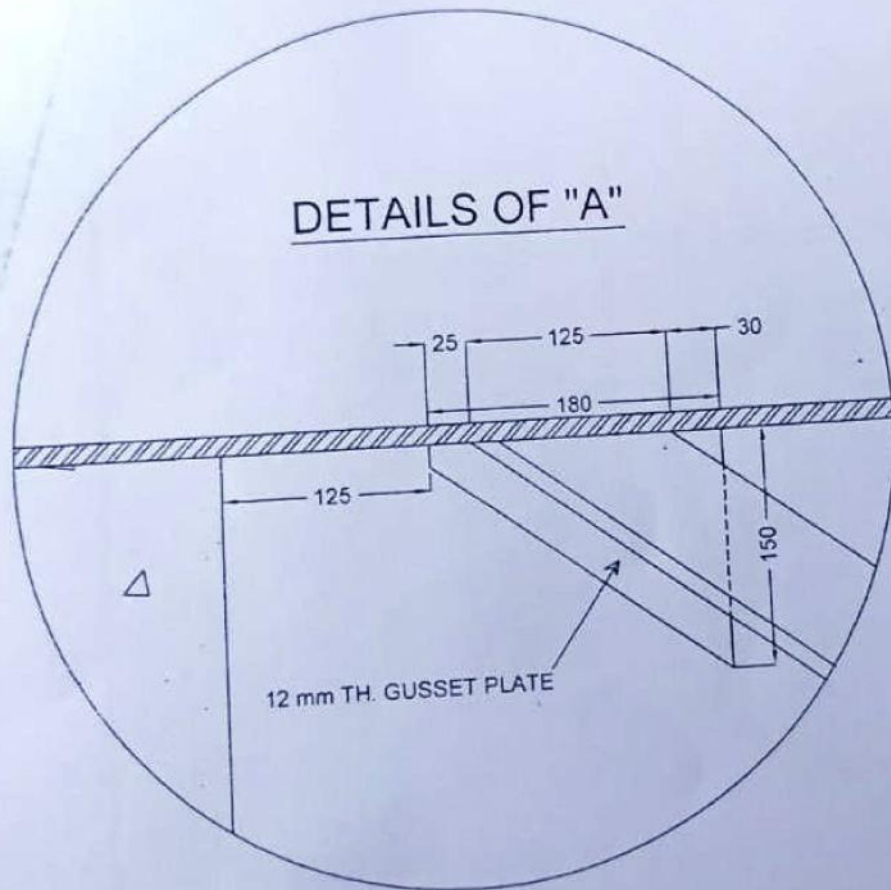
CROSS SECTIONAL DETAILS OF COVER PLATE OVER STOP LOG OPENINGS

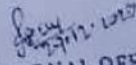
27/12/2022


SUB-DIVISIONAL OFFICER
TEESTA DESIGN SUB-DIVISION-A
TEESTA, SILIGURI-05

27/12/2022

TEESTA DESIGN SUB-DIVISION-A
TEESTA, SILIGURI-05




 SUB-DIVISIONAL OFFICER
 TEESTA DESIGN SUB-DIVISION-1
 TINRATTI, SILIGURI-05


 29/12/2020
 Executive Engineer
 Teesta Design Division
 Tinratti, Siliguri