

**Government of West Bengal,
Office of the Sub-Divisional Officer
Kaliaghai Kapaleswari Baghai Project Sub-Division No.-II
Sabang, Paschim Medinipur.**

NOTICE INVITING TENDER NO.-04/SDO/KKBPSD-II/2020-21

Sealed and Separate tenders in specified tender forms are invited by the Sub-Divisional officer, Kaliaghai Kapaleswari Baghai Project Sub-Division No.-II, I & W. Dte., Sabang, Paschim Medinipur for the works mentioned in the annexed list, from the eligible Contractors of as mentioned in the said Annexure. The Contract Documents can be seen / collected at the office of the Sub-Divisional officer, Kaliaghai Kapaleswari Baghai Project Sub-Division No.-II, I & W. Dte., Sabang, Paschim Medinipur between the hours of 11-00 A.M. to 4-00 P.M. on all working days as well as can be downloaded from <http://wbiwd.gov.in/index.php/applications/tenders>

1. Eligibility for participation in tenders under National Comparative Bidding (NCB)

All Bonafide Indian contractors/Agencies/Organizations, Registered Companies/ Firms including Registered Partnership Firms, Proprietorship Firms, Registered Consortiums & valid 'Joint Ventures' and contractors/bidders of equivalent grade or class having Pre-Qualification (PQ) Credential from the Government of West Bengal, Union Government Departments/ Other State Government Departments/ Engineering Wings of GoI /IRCON/RVNL/NHPC, Autonomous Project Authority and other similar organizations of GoI and State Governments/PSU and Corporations of Government of India and other States having successfully completed at least one similar nature project and not otherwise debarred are eligible to participate subject to fulfilling the other PQ eligibility criteria laid down in the subsequent paragraph. **Consortiums and Joint Ventures are not allowed** to participate in tenders of value up to Rs. 5.00 lakh

2. Participation in more than one serial of work out of list of works published in one NIT.

Any contractor/bidder may bid for any number of Serials of work in a particular NIT, if more than one work have been published in that NIT, subject to fulfillment of all of the following conditions:

- a. There should be full compatibility (matching between the technical PQ credential submitted by the bidder in the form of Credential Certificate (CC) along with other relevant documents as stated under Clause 3.2B III) relating to any work successfully completed by the bidder and technical PQ criteria specified in the NIT for any particular serial of works for which the bidder intends to bid. In other words, technical PQ credential certificate along with relevant documents submitted for any work should at the minimum; satisfy the technical PQ eligibility criteria specified for that work. Normally there should be separate CC along with relevant documents for each of the serial of works, the bidder intends to bid and the serial number relevant to the CC should be clearly written on the body of the CC and also on the other documents stated under **Clause 3.2B III**. However, the bidder will also reserve the right to submit one CC along with relevant documents for bidding in more than one serial of work, provided cumulative technical PQ credential of all such serials should be fulfilled by one single CC. In such case also, serial numbers of the relevant works for which the CC is submitted should be clearly written on the body of the CC by the bidder. Omission of serial numbers on the body of the CC and also on the other documents stated under **Clause 3.2B III**, in case of bidding for more than one serial will lead to rejection of all the bids.
- b. Average of gross annual turnover of the individual bidder/Organization for any three financial years within preceding five financial years, as stated under Clause 7V, should not less than the summation of turnover requirements of the relevant individual serial of works for which the bidder intends to bid.

3. Submission of bid

3.1 General procedure for submission of off-line bid

Bids are to be submitted at tender box kept at Office of the sub-Divisional officer, K.K.B. Project Sub-Division No.-II, Sabang, Paschim Medinipur. All documents uploaded by the Tender Inviting Authority at departmental tender link (<http://wbiwd.gov.in/index.php/applications/tenders>) forms an integral part of the works contract/Agreement. Contractors/bidders are required to submit the entire tender documents along with all other relevant PQ credential documents as asked for in the NIT, physically, at the above address, within the stipulated date and time as notified in the NIT. Tenders are to be submitted in a single cover/packet/parcel at the same time for each work, clearly mentioning NIT No. and Serial No of the NIT. The contractor/bidder should carefully go through all the documents of the tender and submit all relevant documents as described below.

All the documents as mentioned in Para 3.2 A & 3.2 B, Earnest Money Draft vide Para 4 below along with one sealed cover labeled "Tender Documents of Sl. No.... of NIT No....." will be placed in an outer/main sealed cover and labeled distinctly & correctly. The inner cover labeled "Tender Documents of Sl. No..... of NIT No....." should contain documents mentioned in Para 3.3 below i.e. NIT documents, 2911, the BoQ/Schedule of work, corrigendum, if any, containing signature of the applicant in each page as a token of acceptance along with quoted rate at specified place Extension of last date for bid submission or insertion of any of Addendum/Corrigendum, if unavoidable is to be notified as per Finance Department guidelines in the Departmental website, Newspapers and in Notice boards. Whenever any corrigendum is issued irrespective of the content (date corrigendum or otherwise), due date of

submission of bid will be extended by 7 (seven) calendar days to be published before expiry of the last date for original validity period of bid submission. Extension of last date and time for bid submission by issuance of a Corrigendum shall not be treated as 2nd Call or Re-tender.

3.2 APPLICATION FOR TENDER PAPER

Applications for issuing of tender forms are to be made to the Sub-Divisional officer, Kaliaghai Kapaleswari Baghai Project Sub-Division No.-II, I & W. Dte., Sabang, Paschim Medinipur. Application is to be made in the Applicant's letter-head in prescribed proforma (FORM-I) attached herewith, failing which application will be treated as incomplete and void.

3.2 A Descriptions of "APPLICATION FOR TENDER PAPER" and required documents

- i. Applications for Tender: vide self declaration format in specimen Form-1, Self declaration of bidder not having common interest as a different bidder organisation in any other work tendered under different serials of this particular NIT vide specimen Form-2, and self declaration on antecedents and performance of the bidder in specimen Form-4.
All above are to be filled up completely, signed and submitted in sealed cover.
- ii. Earnest Money Draft as stated in para 4 below / order of Exemption.

3.2A.NOTE:

- i. *Contractors/bidders are required to keep track in the departmental website (<http://wbiwd.gov.in/index.php/applications/tenders>) for all the Addenda or Corrigenda notices and documents published in connection with a particular Tender within the bidding period and submit the same, signed by him/her along with their bid. Tenders submitted without Addendum/Corrigendum are liable to be treated as incomplete and thereby liable for disqualification or rejection.*
- iii. *Form 1, Form 2 and Form 4 are taken from bidders by TIA as bidders self declarations' or undertakings. These formats are specimens or samples only, which are to be firstly downloaded by the bidders from the NIT in Departmental portal, filled up completely preferably in letter head and submitted with their bids.*

3.2 B. Other Documents required for accepting APPLICATION FOR TENDER PAPER:

Note:

- i. It is desirable that all documents stated here shall be submitted by bidders in specified cover/packet/parcel during bid submission. No other document will be accepted and considered during tender evaluation stage from bidders before publishing of final selection of 1st lowest bidder. verification by TEC may be undertaken directly from PQ Credential issuing authority.
- ii. Validity of documents submitted by bidder shall be stand determined on the date of publication of tender notice (Notice Inviting Tender)

3.2 B(I) The certificate documents mentioned below under Serial a, b c & d are to be submitted

- a. Latest available Professional Tax Payment Certificate (PTPC) or the PT payment challan/ receipt for current financial year/Waiver Order of competent authority in other States if applicable.
- b. Valid PAN Card of the bidder/s are required;
- c. Income Tax Return of current Assessment Year or, IT Return of immediate preceding Assessment year under IT Act & Rules, whichever latest available with the bidder.
- d. Valid 15 digit Goods and Service Tax payer Identification Number (GSTIN) as per GST Act, 2017 & Rules of the bidder.

3.2B (II) Following documents also should be uploaded during bid submission

- i. For Partnership Firms: Documents of Registration of Partnership Firms in the certified copy of 'Form No. VIII,' issued under Indian Partnership Act, 1932 (Act-IX of 1932) by the Registrar of Firms. In case a Partnership Firm is yet to receive Form No. VIII, a "Memorandum" issued by the Registrar of Firms may also be accepted.
- ii. For Companies: Incorporation Certificate, valid Trade License or acknowledgement of issuing authority of receipt of application for Trade License / renewal, 'Memorandum of Articles' registered under the Registrar of Companies (ROC) under the Indian Companies Act, List of owners/ Directors/Board Members are to be submitted with the bid.
- iii. For State Registered Co-operative Societies:
 - a. Society Registration certificate from ARCS (Assistant Registrar of Co-operative Societies, GoWB) and By-Laws for Cooperative Societies under West Bengal Co-operative Societies Act, 2006 and Rules, 2011 and all amendments.
 - b. Latest Auditor's Report of Directorate of Co-operative Audit under Department of Co-operative, Government of West Bengal within preceding five financial years as per Societies Act & Rules.

3.2B (III) Eligibility criteria based on Credential of work/Prequalification Work Credential

- i. Work Order/Award of Contract or the Letter of Acceptance (LoA) duly authenticated by the competent issuing authority is to be submitted.
- ii. Pre-Qualification (PQ) credential of one 100% completed work of Gross Notional Value as desired in the NIT as the Credential Certificate (CC) duly authenticated by competent authority.

3.2B (IV) PQ Financial credential:

- a. Disqualification during PQ evaluation of financial capability of bidder shall not be decided during Processing application up to work of Rs 5 lakh, as no minimum financial capacity is fixed, except if reveals from documents beyond any doubt of the financial liquidity & bankruptcy of the bidder, determining absolute incapacity to execute the work.
- b. But, i. 'Payment certificate' of works authenticated by appropriate authority for preceding three Financial Years, or, ii. Valid Income Tax Returns for preceding three FY, or, iii. Audited Profit & Loss Accounts statements of three FY, any one of i, ii, or iii as a complete set for three FY within zone of immediate preceding five FY is to be submitted, else the bidder may be disqualified. Name, address, contact no. and registration no. of auditor Firm is desirable for Profit & Loss accounts statement, if submitted.

Note: *If the bidder Company/Firm was set up less than three years ago, audited balance sheets and P/L Accounts for the number of years since inception are to be submitted under Technical cover and the average value would be evaluated only for the period since inception and not three years. Credential Certificate (CC) given as PQ Work Credential may also contain payment certificate and in those cases separate payment certificate is not required.*

3.3 Tender Documents for Financial proposal / bid :-

The financial bid should contain the following documents in one sealed cover or packet or parcel labeled "**Tender Documents of Sl. No.of NIT No.....**".

- i. NIT: Notice Inviting Tender is to be submitted in entirety, after signing by authorised signatory along with corrigendum, if any.
- ii. **Bill of Quantities (BOQ) or Schedule:** The contractor/bidder is required to quote the financial offer/bid price or rate as percentage above or below the estimated amount put to tender or 'at-par' with tender value, in the space marked for quoting rate in the Schedule of the tendered work.
- iii. **Contract /Agreement in WB Form No. 2911** published in the Tender is to be downloaded filled up properly, quoted rate as % above /below /at par in the specified place, signed and submitted during bid submission in a sealed cover sated above.
- iv. Only the downloaded/issued sheet of the above documents is required to be submitted by the contractor/bidder.
- v. BOQ/Schedule/2911 Agreement without a valid numeric rate at the designated space provided in the BOQ/Schedule/2911 Agreement will be disqualified and rejected outright. Contractors/bidders willing to quote "at-par" rate shall need to write "at-par" in the 'space' provided for rates in the BOQ/Schedule/2911 Agreement of the tendered work.

4. Tender Fee and Earnest Money Deposit (EMD)

i. Tender Fees:

Entire set of Tender documents are made available free of cost through the Tender link of Departmental website www.wbiwd.gov.in. Cost for tender documents will not be charged even during execution of a formal tender contract/agreement. However, the contractors/bidders may wherever necessary shall be suitably charged for additional/multiple copies of drawings, specifications, Schedule of Rates booklet etc. and such fee may be suitably determined by the Tender Inviting Authority as per existing Rules.

ii. (a) Earnest Money Deposit (EMD):

Bidders are required to make payment of Earnest Money (EMD) through the Demand Draft only. Only if the bidder is exempted from payment of EMD by the State Finance Department, the Govt. order for such exemption is to be submitted while opting for EMD exemption category. Any misjudgment and resultant non submission of EMD will lead to rejection of the bid. Finance Department has exempted from payment of EMD to State Registered Labour Cooperative Societies, Mackintosh Burn Limited, Westinghouse Saxby Farmer Limited & Britannia Engineering Limited only. State & Central Govt SSI Units are exempted from EMD for tenders for procurements and supply of **Goods only** and not works contracts. However, all other PQ credentials are to be fulfilled by each

(b) Additional Performance Bank Guarantee:

"Additional Performance Security" has been made mandatory which shall be obtained only from the successful bidder, if the accepted bid price is below 20% or below by more than 20% of the amount put to tender. This Additional Performance Security shall be equal to 10% of the **tendered amount** i.e. the 1st lowest bid price.

The Additional Performance Security shall have to be submitted by the selected 1st lowest bidder after issuance of Letter of Acceptance / Letter of Invitation (LoA/Lol) within seven working days and before issuance of Award of Contract (AoC) in the form of "Bank Guarantee" of any Scheduled Bank approved by RBI, payable at Kharagpur West Bengal, as per specimen format Form-6. If the bidder fails to submit the said value of BG as Additional

Performance Security within the seven working days, he may pray for extension of BG submission date within the prescribed 7 days period by another seven days with reasons to be recorded in writing (which is 14 working days from date of issuance of LoA). Else, its/their Earnest Money Deposit (EMD) will be forfeited without any prejudice by the Tender inviting authority and the defaulting bidder also debarred from further participation in all future I&WD tenders for a period of one year for committing the offence on the first occasion and for a period of two years for recurrence of the same offence.

The said Bank Guarantee (BG) shall have to be valid up till the end of the contract/Agreement period including extended time period till 100% physical completion of work in all respects and shall be renewed within validity period accordingly if required. The said Bank Guarantee shall remain in custody of the DDO & Executive Engineer in-charge of the work, which shall be returned to the bidder/contractor after successful physical completion of the work as per contract. If the bidder fails to complete the work successfully, this Additional Performance Security shall be forfeited at any time during the pendency of the contract period after serving suitable notice to the contractor/bidder agency. Necessary provisions regarding deduction of security deposit from progressive bills of the contractor in respect of the tendered work shall be governed as per relevant clauses of the tender contract/Agreement which will in no way be affected / altered due to this Additional Performance Security.

As per Dept. Memo no.- 306-IB/IW-14011(34)/1/2018-JS(IW), dated: 06.08.2018, the entire Security Deposit or the Performance Security may be released after physical and financial completion of the project but before expiry of the security period or defect liability period against receipt of equivalent amount of bank guarantee of approved bank of RBI which should remain valid till the expiry of the defect liability period.

4A. EMD payment procedure:

Each Tenderer will have to deposit earnest money (EMD) of the amount specified in the annexure list of works in the following forms: -

- i. Earnest money deposited in S.B.I or any Nationalized Bank in the shape of Bank Draft / D.C.R. in favour of the **Executive Engineer, K.K.B. Project Division, I.&W.D. payable at Kharagpur** will be valid for the purpose. **The original document must be affixed with the Application.**
- ii. **No cheque or cash money will be accepted as Earnest Money.**
- iii. Earnest Money in the shape of N.S.C, K.V.P, and N.S.S. will not be accepted.
- iv. Adjustment of Earnest money with previous deposit if any can not be entertained in any case.
- v. Contractors should have to deposit 2.00% (Two point zero percent) of amount put to tender as stated in the list of works during dropping of tender forms.
- vi. **Security Money:**

In respect of successful tenders, the deposited earnest money 2.00% (Two point zero percent) of the amount put to tender will be converted as a part of Security Deposit and an additional security @ 1% (one percent) of the tendered amount has to be deposited within 10 days of issuance LoA. In case lump sum deposit in this respect together with EMD value falls short of 3% of Tendered Amount, balance amount will be deducted from the progressive bills.

All Contractors will be treated as outsider Contractor and deduction of security deposit will be followed as above.

4B. Refund/Settlement Process for EMD:

- i. Once the bid evaluation is processed by the TEC, EMD of the bidders other than that of the successful bidder will be refunded, on receipt of application from the bidder in that respect within 2 working days.
- ii. As soon as the successful bidder is awarded the contract (AOC), the same will be deposited to the specific head of security deposit against concerned operating code of the Executive Engineer.
- iii. If the tender is cancelled, then the EMD draft would be released by the **Executive Engineer, K.K.B. Project Division, I.&W.D.**
- iv. TIA reserves the right to forfeit the EMD Draft or electronically after depositing in specified head of account in case of breach/violation of tender rules as defined under clause 8 & 9.

5. Credential Certificate (CC) as Prequalification Work Credential:

- i. Credential Certificates (CC) for one/single 100% completed work within last five financial years on the date of publication of NIT will only be accepted as valid PQ credential of work. Incomplete ongoing work shall not be considered for valid PQ Credential. Payment Certificate without containing mandatory details shall not be treated as valid.
- ii. It is desirable that CC should preferably contain the name with designation, postal address of office, contact Telephone No./FAX / e-mail ID of the authority issuing the CC for the work along with name of work, amount put to tender, date of completion of the work, gross final billed value of the 100% completed work, certificate of issuing authority indicating successful and satisfactory completion. Illegible certificates, absence of contact details making it time consuming for verification purposes of CC issued by authorities outside the State are liable to be rejected by the Bid Evaluation Committee (TEC).
- iii. Credential Certificates (CC) of successfully completed works in any Department/autonomous authority of the

Government of West Bengal will be considered. CC of 100% completed works executed under any other State / Central Government Ministry / Department / Nationalised Financial Institution Organisation / Govt. Undertaking / Govt. Enterprises or Government Institutions or Local Government Bodies (Municipalities, Zilla Parishad & Panchayat Samities within West Bengal, will also be considered as valid PQ Credential. Such CC are to be issued by an officer/authority not below the rank of Executive Engineer / Divisional Engineer / District Engineer/Project Manager of the State/Union Government Departments/ Organisations; authorised signatories of CC for Panchayat Samities and Municipalities shall be the BDO & Executive Officers or equivalent administrative officers respectively. It is desirable to have telephone and FAX or e-mail addresses of the signatory of the CC for all offices outside West Bengal for verification purposes.

6. Pre Qualification (PQ) eligibility criteria

Prequalification (PQ) eligibility of a contractor/ bidder based on one single 100% completed works contract and financial capacity achieved within the zone of last five financial years will be determined as per Rules stated below:

- 6 I (a). Firstly, the gross value of the work submitted as PQ Credential as per CC of similar in nature completed during the current financial year before date of publishing of NIT or within the preceding five FY will be multiplied by the following factors to take care of the inflationary effects to arrive at the gross notional amount.

Year	Description	Multiplying factor to arrive at gross notional amount
Current	The financial year of floating of NIT	1.00
1 st	1 year preceding the current financial year	1.08
2 nd	2 years preceding the current financial year	1.16
3 rd	3 years preceding the current financial year	1.26
4 th	4 years preceding the current financial year	1.36
5 th	5 years preceding the current financial year	1.47

Note: For cases where two contractors/bidders are participating in a Tender for a particular work are such that one happens to have worked as a sub-contractor of the other, and both the contractors/bidders PQ submit work credential of having completed the same job either wholly or partly, then in such case the PQ credential of the principal contractor will be considered while that of the sub-contractor will not be taken into consideration for determining the eligibility criteria of the contractor/bidder during technical evaluation of the tender. If the PQ Credentials submitted by hitherto contractors/bidders are for different works, then both the PQ Credentials will be considered for determining the eligibility criteria of the individual contractors/bidders.

6 II. Submitted Bid of contractor/bidder will come under consideration only when the Technical PQ criteria mentioned below are satisfied and fulfilled in the "Application for Tender Paper" Evaluation stage.

Gross notional amount calculated from Credential Certificate (CC) of a single works contract completed within the zone of immediate preceding five financial years on the date of this NIT, issued in favour of the contractor/bidder /Agency/Firm/Registered Co-operative Society for a similar work defined in the tender should be at least 30% of the amount put to tender for the work it is bidding. The power to decide on the criteria of similarity rests without any prejudice, solely with the Bid Evaluation Committee (TEC).

7. Additional eligibility criteria for participating in more than one serial of work in a NIT

If the same bidder bids separately for on behalf of another Firm or in a different capacity having financial interests in the same work, all the tenders would be rejected.

8. Penalty for suppression / distortion of facts and withdrawal of SUCCESSFUL bidder before acceptance of LOI

If a contractor/bidder fails to physically produce the originals of documents (especially the Credential Certificates and P/L accounts with audited balance sheets), or any other bid document on demand by the Tender Evaluation Committee (HTEC/TEC) which were submitted as photo copies with their bids within a specified time frame, need arising due to any material deviations detected in the uploaded soft copies, leading to specific doubts which could not be cleared by enquiry from issuing authority of these documents or if there is any suppression/distortion/falsification noticed/detected/ pointed out at any stage of the tender process at any stage prior to signing of Contract-Agreement or the issue of LOA or AOC, the Tender Inviting Authority will immediately bring the matter to the notice of the concerned Chief Engineer and appropriate penal measures as stated in Clause 10 below will be taken. The concerned Chief Engineer then will issue the necessary order in writing with intimation to the defaulting contractor/bidder, other Chief Engineers, Centralized e-Tender Cell and also the Government in the Irrigation & Waterways Department. Copy of the order/starting penal measures should invariably be communicated to the Nodal Officer, e-Governance Cell of the Department with a request for uploading the order in the Departmental website in the link "List of suspended/debarred contractors".

9. PROCEDURE FOR SUSPENSION AND DEBARMENT OF SUPPLIERS/ CONTRACTORS

A. SCOPE:

The procedures laid down in subsequent paragraphs shall govern the suspension and debarment of suppliers, contractors and bidders ("Contractors" for brevity) involved in Government procurement for offenses or violations committed during competitive bidding and contract implementation, or even later for the works under Irrigation & Waterways Department, Government of West Bengal. The concerned Chief Engineer shall publish the suspension and debarment order in the Departmental website with the approval of I&W Department in the designated link within 1 (one) working day of issuance of such order. The TIA shall recommend the case to HTEC/TEC who with opinion of Chief Engineer will place it before DTC/QBEC/DTTC for approval.

B. PROHIBITION ON SUSPENDED / DEBARRED PERSONS / ENTITIES TO PARTICIPATE IN THE BIDDING OF GOVERNMENT PROJECTS / CONTRACTS OF THE DEPARTMENT

A person / entity that is suspended / debarred by a procuring entity shall not be allowed to participate in any procurement process under Irrigation & Waterways Department during the period of suspension / debarment unless the same has been revoked by the competent authority.

A Joint Venture or Consortium which is suspended / debarred or which has suspended / debarred member/s and/or partner/s as well as a person/entity who is a member of suspended / debarred Joint Venture or Consortium shall, likewise, not be allowed to participate in any procurement process under Irrigation & Waterways Department during the period of suspension / debarment unless the same has been revoked.

C. DEFINITION OF TERMS:-

- i. **Bidder:** A person/Contractor/Agency/Company/Society/Corporation participating in the procurement process and/or a Person/Contractor/Agency/Joint Venture/Consortium/ Corporation having an Agreement/ Contract for any procurement with the Department shall be referred as bidder.
- ii. **Bid Evaluation Committees or Tender Evaluation Committees (HTEC/TEC/QBEC in short):**
 - a. Bid / Tender Evaluation Committee'(TEC) for the bids upto tender value of Rs. 5.00 lakh (TEC) invited by the Executive Engineer will be comprising of i) Concerned Executive Engineer as Chairperson and Convener, ii) Assistant Engineer concerned to the work as Member, iii) Another Assistant Engineer from Division as Member or the Junior Engineer posted as the Divisional Estimator.
 - b. Bid / Tender Evaluation Committee'(TEC) for the bids upto tender value of Rs. 5.00 lakh (TEC) invited by the Sub-Divisional Officer will be comprising of i) Concerned Sub-Divisional Officer as Chairperson and Convener, ii) Junior Engineer concerned to the work as Member, iii) Another Junior Engineer from Sub-Division as Member.
 - c. or, Evaluation Committee constituted by the Department from time to time.
- iii. **Consolidated Debarment List:** A list prepared by the Departmental Debarment Committee/Chief Engineer containing the list of bidders debarred by the Irrigation & Waterways Department, Government of West Bengal. The list would be displayed prominently in the designated link in website of the Department clearly stating the period of suspension/debarment.
- iv. **Contract implementation:** A process of undertaking a project in accordance with the contract /Agreement documents.
- v. **Debarment:** An administrative penalty, in addition to the contract/Agreement provisions, disqualifying a bidder from participating in any procurement process under Irrigation & Waterways Department, Government of West Bengal for a given period.
- vi. **Debarred Bidder:** A Bidder who was disqualified by the competent authority of the Irrigation & Waterways Department, Government of West Bengal.
- vii. **Department:** Irrigation & Waterways Department, Government of West Bengal
- viii. **Entity:** A person/Contractor/Agency/Joint Venture/Consortium/Corporation participating in the procurement process and/or a Person/Contractor/Agency/Joint Venture/Consortium/Corporation having an agreement/ contract for any procurement with the Department shall be referred as entity.
- ix. **Offence:** A violation or breach of the Constitution of India, laws, regulations, laid down procedure, etc under Prevention of Corruption Act, 1988, Code of Criminal Procedure, 1973 u/s 195(1) and Section 197(1), Competition Act, 2007 and IT Act, 2000 as amended.
- x. **Procurement:** It is the act of buying goods, services or works from an external source. It is favourable the goods, services or works are appropriate and that they are procured at the best possible cost to meet the needs of the acquirer in terms of quality and quantity, time and location.
- xi. **Procuring Entity/Authority:** The officer authorised by the Irrigation & Waterways Department, Government of West Bengal for procurement.
- xii. **Suspension:** Temporary disqualification of a bidder from participating in the procurement process of Irrigation & Waterways Department for a period of 6 (six) months when an offence is made against a bidder.

D GROUNDS FOR SUSPENSION AND DEBARMENT

- i. Submission of eligibility requirements containing false information or falsified documents.

- ii. Submission of Bids that contain false information or falsified documents, or the concealment of such information in the Bids in order to influence the outcome of eligibility screening or any other stage of the bidding process.
- iii. Unauthorised use of one's name/digital signature certified for purpose of bidding process.
- vi. Any documented unsolicited attempt by a bidder to unduly influence the outcome of the bidding in his favour.
- vii. All other acts that tend to defeat the purpose of the competitive bidding such as lodging false complaints about any bidder, posting baseless allegation about any officer duly authorised by the Department, restraining any interested bidder to participate in the bidding process etc.
- vi. Refusal to accept an award after issuance of 'Letter of Acceptance' or enter into contract with the Government without justifiable cause.
- vii. Refusal or failure to post the required performance security/earnest money within the prescribed time without justifiable cause.
- viii. Subcontracting of the contract or any part thereof without prior written approval of the procuring entity.
- ix. Failure solely due to fault or negligence of the Contractor, to mobilize and start work within the specified period as mentioned in the 'Letter of Acceptance' / 'Letter of Acceptance cum work Order' / 'Work Order' / 'Notice of Process' / 'Award of Contract' etc. ultimately resulting in rescindment of contract.
- x. Failure to fully and faithfully comply with the contractual obligations without valid cause, or failure to comply with any written lawful instruction of the procuring entity or his representative(s) pursuant to the implementation of the contract, ultimately resulting in rescindment of contract.
- xi. For the procurement of goods, unsatisfactory progress in the delivery of the goods by the manufacturer, supplier or distributor arising from his fault or negligence and / or unsatisfactory or inferior quality of goods, vis a vis as laid down in the contract.
- xii. Refusal or failure to upload a self-declaration in specimen format of Form-4 to the effect of any previous debarment imposed by I&WD, any other Department of State Government and or Central Government.
- xiii. Wilful or deliberate abandonment or non-performance in a project or contract by the contractor / suppliers resulting to substantial breach thereof without lawful and / or just cause(s).
- xiv. The Additional Performance Security shall have to be submitted by the selected L1 bidder after issuance of Letter of Acceptance / Letter of Invitation (LoA/Lol) within next seven working days and before issuance of Award of Contract (AoC) in the form of "Bank Guarantee" of any Scheduled Bank approved by RBI, payable at Kolkata or / in West Bengal, as per specimen format Form-6. Else, its/their Earnest Money Deposit (EMD) will be forfeited without any prejudice by the Tender inviting authority.
- xv. Non-submission of a sufficient sum, which together with the Earnest Money deposited by him/her with his/her tender, will make the full security/performance- security amounting to 3% of the tendered amount and in such a case, there shall be no further deductions from the progressive bills so long as value of work does not exceed the tendered amount by the selected bidder in a tender for Procurement of Works, within 10 days of receipt of 'Letter of Acceptance' (LoA) from the Tender Accepting Authority.

E. CATEGORY OF OFFENSE:

- a. First degree of offense: Clause 9 D (i) up to (vii), (xii) & (xiv) is to be considered as first degree of offense.
- b. Any of the offence under Clause (viii) to (xi) & (xiii) shall lead to termination of contract and its determinations in accordance with Clause (ii) & Clause (iii) of Agreement Form No. WB-2911 and simultaneous debarment for a period of 2 years
- c. Second degree of offense: Any one of the offenses as mentioned under Clause 9D (i) to (xiv), committed by a particular bidder/contractor/supplier on more than one occasion would be considered as second degree of offense. Period of debarment will be 2 times the corresponding period penalty applicable for 1st degree offence in addition to other penal provisions contained in 1st degree offence.

F. Procedure and Rules of Debarment :

Debarment procedure and rules are published as Departmental Notification to be read in conjunction with the Corrigenda issued from time to time , as may be seen in the Notification link of the Departmental website wbiwd.gov.in

G. PENALTY FOR OFFENSE:

- a. For committing 1st degree offense any of the cases referred under Clause 9 D (i) to (v), forfeiture of earnest money and debarment for a period of six months, if the offense is detected during technical evaluation. If the offence is detected after award of the contract and if the offender happens to be the agency selected for work, and such selection is made due to oversight, forthwith termination of the contract and determination of contract value in accordance with clause 3(ix) (c) of West Bengal Form No. 2911, and simultaneous debarment for a period of six months. Further, in case the offense is detected after completion of work and payment of final bill the Work credential earned would be declared as 'null and void', so that the same cannot be used in future as PQ credential for securing other works contracts in the Irrigation & Waterways Department, together with debarment for a period of six months.

- b. For committing 1st degree offense in any of the cases referred under Clause 9 D (vi), (vii),(xiii) to (xv), forfeiture of earnest money and debarment for a period of one year. For committing offenses under Clause 9D (xv), debarment period shall be for one calendar year preferably from the date on which the due date for submission of BG had expired (i.e 8th or 15th working day from date of receipt of LOA /LOI) by the concerned Chief Engineer to be notified in the Departmental website.
- c. For committing 1st degree offense in any of the other cases under Clause 9 D (viii) to (xii), termination of contract and its determination in accordance with Clauses 2 & 3 of West Bengal Form No. 2911, including debarment for a period of two years.
- d. For committing 2nd degree offenses under above all categories, period of debarment will be twice the corresponding period for 1st degree offenses, in addition to other penal provisions for 1st degree offense.

10. Taxes & duties to be borne by the Contractor/bidder

In view of introduction of GST with effect from 01.7.2017, all the bidders intending to participate in this tender should offer their financial bids inclusive of GST applicable for entire composite works/Procurement of goods & services, labour intensive component contained in the BOQ. Income Tax, Royalty, GST (CGST, SGST, IGST), Construction Workers' Welfare Cess, Labour Insurances EPF and similar other statutory levy / cess will have to be borne by the contractor/bidder and his/her quoted rate should be quoted accordingly after considering all these charges, and no separate payment towards any of the statutory taxes rents or levies shall be made by the work implementing authority.

11. Site inspection prior to submission of tender

Before submitting a tender, the intending contractor/bidder should make themselves acquainted thoroughly with the local conditions prevailing at site of implementation of the work by undertaking field inspections and taking into consideration all probable factors and difficulties to be involved during execution of the work as per specification in all respects including transportation of materials, communication facilities, climate conditions, nature of soil, availability of local labourers and market rates prevailing in the locality etc. and no claim whatsoever will be entertained on those accounts afterwards. The contractor/bidder may also contact the office of the designated Assistant Engineer / Executive Engineer, KKB Project Division in between 11.30 hours to 16.30 hours on any working day, prior to the date of last date for submission of bid in the tender.

12. Conditional and incomplete tender

Conditional and incomplete tenders are liable to be summary rejected. No further/separate document will be entertained until completion of Tender process by way of acceptance of SUCCESSFUL bid by the competent Tender Accepting Authority/Government.

13. Opening & evaluation of tender

13.1 Opening of Tender

All works above tender value of 0.10 lakh for which tendering is mandatory shall be awarded through open tenders without reservation for any particular class of contractors/bidders. Notices for open off-line tenders for each tender value below Rs 5.00 lakh shall include such clauses as is notified by the Department from time to time.

- i. Tender will be opened by the Tender Inviting Authority or his/her authorised representative/s at the scheduled time as mentioned in Annexure.
- ii. Intending contractors/bidders may remain present if they so desire.
- iii. Outer sealed cover documents (vide Clause 3.2 & 4) will be opened first and if found in order, will be evaluated for acceptance of application for Tender Paper (vide Clause 3.2A). If there is any material deficiency in either of the documents, the Application is liable to be disqualified & rejected and EMD will be released.
- iv. Documents of the Pre-Qual Technical Credential and Other required Documents will be evaluated by the Tender Evaluation Committee (TEC).

13.2 Process of Bid Evaluation in a Tender

Each document submitted (vide Clause 3.2 & 4) with Application for Tender Paper will be scrutinized and if found in order/as desired will be accepted by the TEC and then only tender of the particular bidder will be declared eligible for further process/evaluation. During the application evaluation process, Intending contractors/bidders may remain present and no subsequent objections whatsoever, raised by any participant, not present during the opening of tenders will be entertained.

13.3 Acceptance / Rejection of Application for Tender Documents

- i. Pursuant to decision arrived after a Technical Bid Evaluation and review, the acceptance of contractors/bidders' application in the Application Evaluation stage for a particular serial of work whose tender proposal will be thus considered, will be intimated to bidders present verbally.
- ii. While evaluating, the TEC may, if they so desire, summon the contractors/bidders and seek further clarification/information or seek verifications of original hard copy of any of/all the documents already submitted, and if these cannot be produced within stipulated timeframe, their bids will be liable for rejection.

13.4 Evaluation of Tender/bid

- i. Inner Cover labeled “Tender Documents of Sl. No. of NIT No. ” of the bidders/contractors whose Application for Tender Documents are declared accepted by the Bid/Tender Evaluation Committee (TEC) will be opened by the Tender Inviting Authority stated above.
- ii. The rates will be read out to the contractors/ bidders remaining present at that time.
- iii. If the Tender Accepting Authority (TAA) is satisfied that the rate obtained is fair and reasonable and there is no scope of further lowering down of rate, he/she may after having the comparative statement test checked by the Divisional Accountant / Divisional Accounts Officer attached to his office and after their acceptance may formally issue LoA against each work.
- iv. If there is any scope for lowering down of rate in the opinion of the Tender Accepting Authority being abnormally high, i. e above 10% of the amount put to tender (Tender value), the e-NIT shall be cancelled and invited afresh 2nd or 3rd re-tender. **No post tender negotiations are permitted.**
- v. If there is any scope for lowering down of rate in the opinion of the Tender Accepting Authority being abnormally high above 10% of the amount put to tender i.e Tender value, the e-NIT shall be cancelled and invited afresh. No post tender negotiation is permitted.
- vi. If there is no contractor/bidder or the number of contractors / bidders in the 1st tender is less than three, the tender has to be cancelled. In case of participation of more than three bidders, if the number of technically qualified bidder falls below three, the tender/NIT is to be cancelled as well and fresh tender vis-a-vis 2nd call Tender or even 3rd call Tender may be invited by suitably lowering of minimum eligibility PQ criteria (work & financial) for bidders with wide publicity of Re-tender notices through electronic and print media.
- vii. Final result after acceptance of the rate by the Tender Accepting Authority, if within the delegated power of acceptance would have to be intimated through LoA. Otherwise, the matter may be referred to the Government Appointed DTC and the appropriate Government for decision.
- viii. The Tender Accepting Authority may ask the SUCCESSFUL bidder/contractor to submit analysis of rates to justify the rate quoted by that bidder after declaration of financial bid evaluation result.
- ix. If the lowest (SUCCESSFUL) bidder/contractor backs out there should be Re-tendering in a transparent manner. In such a situation the TIA may call for re-tender with bid submission time period should normally be 14 days for value above Rs. 10.00 lakh, and 7 days for value exceeding Rs. 1.00 lakh but up to Rs. 10.00 lakh.

13.5 Tender Accepting Authority (TAA)

Authority to which the power has been delegated to accept tenders as per latest Finance Department Notification will function as the Tender Accepting Authority (TAA) for evaluation of technical and financial proposals of works having tender value within his/her range of acceptance.

As per present delegation, TAA for different tenders within the range above Rs 0.10 Lakh upto Rs 5.00 Lakh would be as follows:

- i. For off-line tenders of value from Rs 0.1 Lakh up to Rs 5.0 Lakh if tendered by Executive Engineer, KKB Project Division, in a single bid system in off-line mode, it will be accepted by Executive Engineer, KKB Project Division, I&W Directorate. [off-line single bid Tenders]
- ii. For tenders of value from Rs 0.1 Lakh up to Rs 5.0 Lakh relating to works only, is to be tendered in a single bid system in off-line mode to be accepted by Assistant Engineer/Sub-Divisional Officer, KKB Project Sub-Division No.II, I&W Directorate. [off-line single bid system Manual Tenders] on the basis of technically sanctioned costs.

13.6 Procedure to be followed for final acceptance of tender & Award of Contract

- i. The lowest (SUCCESSFUL) financial bid for all works tenders is accepted as a rule. If for any reason the lowest (SUCCESSFUL) bid is not accepted, reference is to be made to the appropriate Government for orders as to which of the contractor /bidder the work should be awarded.
- ii. Maximum 5 % excess beyond the ‘Tender Value’ (Amount put to Tender) may be accepted above tenders of value below Rs 5.00 lakh upto 5% above amount put to tender and also 5% excess over administratively approved amount, proposal for revised administrative approval/Expenditure sanction would have to be submitted to the Government, but acceptance of tender and issue of work order may not be kept pending for want of revised approval.
- iii. Above 5% and up to 10% of the Tender Value can be recommended to the Government for acceptance by the Departmental Tender Committee (DTC) subject to the conditions that valid technically qualified bids should not be less than three and SUCCESSFUL bid is accepted and tendered amount is within the administratively approved cost. In case of excess over administratively approved amount, revised administrative approval would have to be submitted to the Government but acceptance of tender, and issue of work order may not be kept pending for want of Revised Administrative Approval/ Revised Financial sanction.
- iv. If the response to a Tender is less than three, then Tender should be invited afresh. Such Re-Tender notice shall be published in widely circulated dailies as per guidelines and also through Departmental web portals. Prior to invitation of Re-Tender / fresh Tender, the eligibility criteria and other terms & conditions as contained in the first ‘Notice Inviting Tender’ shall have to be reviewed/relaxed by the Tender Inviting Authority, to ascertain whether (i) it was too much restrictive, say, specifications and qualifications were fixed at higher standards than required, (ii) advertisements in the widely circulated Newspapers were properly published and (iii) other related procedural matters were observed in its entirety.
- v. If the number of valid bids received even in re-tender is less than three, it should be referred by the TIA to the DTC and even the appropriate Government along with the recommendation of the DTC for decision, in accordance with Finance Department Memorandum and other relevant orders in vogue at the time of publication of the tender.

- vi. For acceptance of SUCCESSFUL bid after 2nd / 3rd re-tenders is still above 10% of the Tender Value (Amount put to tender), upon specific recommendation of the DTC as mentioned at clause 13.4, with that of the Department shall have to be sent to the Finance Department for decision.
- vii. All above tender rules applies for all types of works and procurements i.e Plan, Non Plan, deposit works tenders.
- 14. General guidelines for acceptance of Tender**
Lowest valid rate should normally be accepted in accordance with the procedure stated in clause 13.4. The Tender Accepting Authority reserves the right to distribute the work amongst more than one contractor/bidder with same SUCCESSFUL rate.
- 15. Signing of formal tender contract/agreement after acceptance of tender**
The contractor/bidder, whose bid is approved for acceptance, shall within 15 days of the receipt of Letter of Invitation (LOI) or Letter of Acceptance (LOA) in his / her favour, will have to execute a 'Formal Agreement' with the Engineer-in-Charge in quadruplicate in W.B.F. 2911 and all other contract documents, entire set of which may be obtained free of cost from the office of the designated Executive Engineer, KKB Project Division or Sub-Divisional Officer, KKB Project Sub-Division No-II in-charge of the work tendered.
If the selected SUCCESSFUL bidder fails to turn up even after 30 days after the initial 15 days from the date of issuing of the AOC in the e-mail ID of bidder or the dispatch date of official communication for signing of the Contract/Agreement, the selected bidder is liable for penal actions which shall comprise blacklisting, debarring from future participation in Government tenders, immediate forfeiture of the Earnest Money deposited in the tender, other penal actions as stipulated under clause 9 & 10 of the e-NIT, the Departmental Notification and also contained in contract W.B Form No. 2911 Agreement.
- 16. Payment against bills raised by the contractor**
Periodic Tax invoice/bills containing bidders GSTIN & other details needs to be submitted by the supplier/contractor/Agency/bidder to the DDO for raising claims for receiving payments of work executed under this contract /upon achieving physical Milestones clearly showing separately the Tax charged in accordance with the provisions of the GST Act, 2017.
The payment of Running Account as well as final bill for any work based on progress and performance will be made according to availability of fund and no claim due to delay in payment will be entertained.
- 17.** No cost escalation in any form is included in the Tender Contract Agreement.
- 18. Bid validity**
The Bid will be normally valid for **120 days** from the date of opening of the financial proposal. However, extension of bid validity may be suitably considered by the Tender Inviting Authority, if required, subject to written confirmation of the contractor/bidder (s) to that effect.
- 19. Definition of Physical Milestones:**
The time allowed for carrying out the work as entered in the tender shall be strictly observed by the contractor, and which shall be reckoned from the date on which the order to commence work is given to the contractor. The work shall throughout the stipulated period of the contract be proceeded with all due diligence. Time being deemed to be the essence of contract on the part of the contractor; the contractor shall be bound in all cases, to achieve the 'Milestones' as specified by the Engineer-in-Charge with the AOC, defining pertaining to the work. The contractor within 15 days of receipt of Letter of Acceptance shall submit a work programme commensurate with period of construction in the form of a Bar Chart work programme, stating the timeline of such different Milestones. In the event of the contractor failing to comply with any of the conditions related to achieving the 'Milestones' within the specified time period prescribed for such 'Milestone' plus one month, he/she shall be liable to pay compensation.
If the contractor fails to commence and/or maintain required progress over the total time allotted for its full completion and fails to complete the work and clear the site on or before the end of contract period or extended date of completion, he/she shall, without prejudice to any other rights or remedy available under the law on account of such breach, pay as agreed compensation to the implementing Department. This will also apply to items or group of items for which a separate period of completion has been specified.
- 20.** The tender with overwriting, illegible writing, erasing and incomplete or conditional one are liable to rejection
- 21.** In the event of tender being submitted by a Partnership Firm it must be signed by each of the partners of the firm or a Power of Attorney holder, as stipulated in the Indian Partnership Act.
- 22.** All the tenders in which any one of the prescribed conditions is not fulfilled will be rejected
- 23.** In case of any nonscheduled Holiday/ Bundh/Strike in the aforesaid dates the next working will be treated as the scheduled date for that purpose.

- 24 In case of work containing laboratory test in laboratory **other than Departmental Lab** necessary document showing own set up for Lab test, like test equipment purchase document & valid calibration certificate in the name of Agency
or
authenticated consent letter of laboratory authority & declaration of Agency for Lab test to be done in any Govt. BE/B.Tech University/College, IIST (Shibpur), National Test House
- 25 In case of work containing laboratory test **at Departmental Quality Control Laboratory**
For Geo-technical investigation work, for "Testing at Dept. Laboratory", Agency has to dispatch the samples collected at site to the Departmental Quality Control Laboratory for testing. After obtaining results from the Laboratory through the undersigned the Agency has to prepare and submit the necessary Report



**Sub-Divisional Officer,
K.K.B. Project Sub-Division No.-II
Sabang, Paschim Medinipur**

ADDITIONAL TERMS & CONDITION
(TO FORM A PART OF THE TENDER DOCUMENT)

Additional Terms & Conditions

1. The Executive Engineer of the concerned Division shall be the Engineer-in-Charge in respect of the works contract and all correspondence concerning rates, claims, change in specifications and/or design and similar important matters will be valid only if accepted/recommended by the Engineer-in-Charge. If any correspondence of above tender is made with Officers other than the Engineer-in-charge for speedy execution of works, the same will not be valid unless copies are sent to the Engineer-in-Charge and also approved by him/her. Instructions given by the Sub-Divisional Officer/Assistant Engineer and the Junior Engineer/Section Officer (SO) on behalf of the Engineer-in-Charge shall also be valid (who have been authorized to carry out the work on behalf of the Engineer-in-Charge) regarding specification, supervision, approval of materials and workmanship. In case of dispute relating to specifications and work, the decision of Engineer-in-Charge shall be final and binding. The Engineer-in-Charge will however take all decisions relating to works contract only after recommendation/ advice of the Tender Accepting Authority. If there is more than the Executive Engineer assigned for the tender, the Chief Engineer would designate the Engineer-in-Charge for the work.
2. Acceptance of the tender including the right to distribute the work between two or amongst more than two bidders with same SUCCESSFUL rates will rest with the Tender Accepting Authority without assigning reason thereof to any of the bidders. The tender accepting authority reserves the right to reject any or all tenders without assigning sufficient justification thereof to the bidder/contractor. No additional or excess work or additional items of work beyond the tendered amount would be generally allowed. All excess, supplementary or substitute supplementary items of work, if unavoidable are to be accepted by the Tender Accepting Authority only if the total value of work on completion is within the tendered amount. The exiting contract would be terminated after achieving work up to tendered cost (gross value) and balance work would be taken up afresh after fresh sanction and new tender, except in the interest of public services, in rare & special cases under specific approval of the Government.
3. The Contractor/bidder shall have to comply with the provisions of (a) Contract Labour (Regulation & Abolition) Rules, 1970 including its revisions (b) Minimum Wages Act 1948 and the modification thereof or any other laws relating thereto as will be in force from time to time.
4. Engineer-in-Charge shall not entertain any claim whatsoever from the contractor for payment of compensation on account of idle labour on such grounds including non-possession of encumbrance free land. Escalation of cost due to inflationary effects or any other reason is not permitted during construction period or extended time period of contract.
5. Engineer-in-Charge shall not be held liable for any compensation due to machines & equipments becoming idle or any circumstances including untimely rains, other natural calamities, strikes etc.
6. All statutory taxes, viz. GST / labour welfare Cess, labour insurance etc or revision of taxation rates even after AOC or commencement and before final completion of the work are to be borne by the contractor/bidder. Original tax invoice/challan or bill of those materials, which are procured by the bidder, may be asked to be submitted for verification if required.
7. Labour Welfare CESS @ 1% of the cost of construction works shall be deducted from the Gross value of all works bills. Also it is instructed to compulsorily register his/her establishment under the Act, under the competent registering authority, i.e. Assistant Labour Commissioner / Dy. Labour Commissioner of the region for disbursing PF and ESI benefits of workers. The bidder should be mandatorily be registered online with Employees Provident Fund Organisation (EPFO) in the on-line system and posses EPF code and all current documents. Penalties and complaints due to non compliance of on-line EPF registration and default is the full responsibility of the bidder even if the TIA is by default the Principal employer
8. No mobilization / secured advance will be allowed unless specified otherwise in the contract or the e-Notice Inviting Tender.

9. GST, Cess, License fees, Royalty for construction materials, forest product etc, Toll Tax, Income Tax, Ferry Charges and other Statutory Government Taxes as applicable during project implementation are to be paid by the contractor/bidder. The rates of supply and finished work items are inclusive of these taxes and levy. Tax invoice/bills needs to be submitted by the supplier/bidder for raising claims under the contract after attaining of physical milestones showing separately the tax charged in accordance with the provisions of GST Act, 2017.
10. All working tools & plants, scaffolding, construction of vats & platforms and arrangement of Labour Camps will have to be arranged by the contractor at his/her own cost. The contractor shall clear the site of work and restore all damages made due to the Labour camp, erection of yards and godowns, stores etc within 30 days of completion of work.
11. The contractor shall supply mazdoors, bamboos, ropes, pegs, flags T&P, Machineries and equipments etc. for laying out the work and for taking and checking measurements for which no extra payment will be made.
12. The contractor/bidder should see the site of works and tender documents, drawings etc. before submitting tender and satisfy himself/herself regarding the condition and nature of works and ascertain difficulties that might be encountered in executing the work, carrying materials to the site of work, availability of drinking water and other human requirements & security etc. Work on river banks may be interrupted due to a number of unforeseen reasons e.g. sudden rise in water levels, inundation during flood, inaccessibility of working site for carriage of materials. Engineer-in Charge may order the contractor to suspend work that may be subjected to damage by climate conditions. No claim will be entertained on this account. There may be variation in alignment, height of embankment or depth of cutting, location of revetment, structures etc. due to change of topography, river condition and local requirements etc. between the preparation and execution of the scheme for which the tendered rate and contract will not stand invalid. The contractor will not be entitled to any claim or extra rate on any of these accounts.
13. A machine page numbered Site Order book (with triplicate copy) will have to be maintained at site by the contractor and the same has got to be issued from the Engineer-in-Charge before commencement of work. Instructions given by inspecting officers not below the rank of Assistant Engineer will be recorded in this book and the contractor must note down the action to be taken by him in this connection as quickly as possible.
14. The contractor shall be bound to comply with all the Central & State Pollution Control Acts & Rules during entire construction period.
15. All possible precautions should be taken for the safety of the people and work force deployed at worksite as per safety rule in force. Contractor will remain responsible for his labour in respect of his liabilities under the Workmen's Compensation Act etc. He must deal with such cases as promptly as possible. Proper road signs as per P.W.D. practice will have to be erected by the contractor at his own cost while operating public thoroughfares. Also, display boards containing brief description and name of project with completion target dates shall be erected at a prominent location at the work site by the contractor for public awareness.
16. The contractor will have to maintain qualified technical employees and/or Apprentices at site as per prevailing Apprentice Act or as stipulated in the contract. No compensation for establishment charge will be entertained.
17. The contractor will have to accept the work programme as per modifications and priority of work fixed by the Engineer-in-Charge so that most vulnerable reach and/or vulnerable stretch is completed before impending monsoon or rise in river flood water level or commencement of canal irrigation water release or for other suitable reasons.
18. Quantities of different items of work mentioned in the departmental tender schedule/BOQ or in work order are only tentative. In actual work, these may vary considerably. Payment will be made on the basis

of works actually completed in different items as per specifications and codes, and no additional claim will be entertained for reduction of quantities in some items or for omission of some items. For execution of any additional item or supplementary works within the tendered value with the total completion value remaining within the accepted tendered cost, approval of the Tender Accepting Authority/Government in the Irrigation & Waterways Department would be required.

19. In order to cope with the present system of e-pradan billing, departmental supply of construction materials is discouraged. However, Departmental materials may be issued to the contractor/ bidder to the extent of requirements as assessed and following accounts procedure in the Treasury system of bill payment and in installments as decided by the Engineer-in-Charge. Issue of materials may be of three categories.
 - a) Materials issued directly to the work and subject to recovery.
 - b) Materials issued from departmental go down and subject to recovery.
 - c) Materials issued free of cost.

Decision of the Engineer-in-Charge should be final and binding in this regard. He also stands solely responsible for reconciliation of accounts, if materials are issued to the contractor.

20. Any materials brought to site by the contractor subject to approval of the Engineer-in-Charge. The rejected materials must be removed by the contractor from the site at his own cost within 48 hours of issue of the order to that effect. The rates in the schedule are inclusive of cost and carriage of all materials to worksite. The materials will have to be supplied in phase with due intimation to the Sub-Divisional Officer/Assistant Engineer concerned in conformity with the progress of the work. For special type of materials, i.e. Geo Synthetic Bags, HDPE Bags, Geo Textile Filter, Geo jute Filter etc. if any, relevant Data Sheet containing the name of the Manufacturers, Test Report etc. will also be submitted in each occasion. Engineer-in-Charge may conduct independent test on the samples drawn randomly before according approval for using the materials at site. In this regard decision of Engineer-in-Charge shall be final and binding.
21. For materials under category 19(a),(b)&(c), the contractor will act as the custodian thereof. The materials will have to be carried from the nearest Departmental go-down to worksite by the contractor at his own cost. The contractor shall remain responsible for the proper storage and safety of the materials. Suitable Go-down/ Store shall have to be made by the contractor at his/her own cost. Penalty charges shall be levied at higher rate for loss, wastage, misuse. Surplus materials of the departmental if any, shall have to be returned to the issuing Go-down or store at the contractor's cost within the time frame as fixed by Engineer-in-Charge, otherwise, the cost at penal rate will be recovered from the bill. Indent for departmental materials shall be submitted by the contractor to the AE/S.D.O. at least 7 days in advance of actual requirement. No claim will be entertained for non-issuance of such materials in time but reasonable extension of time will be granted. All materials, whatever be the category thereof, shall be properly stored by the contractor in suitable go downs near the site of work at his own cost & under no circumstances whatsoever shall any material be removed from the site of work without prior written permission of the Engineer-in-Charge. The contractor shall be responsible for any damage, wastage or loss of such materials.
22. The contractor shall also have to satisfy the Engineer-in-Charge regarding the proper utilization of materials which have been issued departmentally.
23. Value of the material, under category (a) & (b) of clause 19, will be recovered from the bills of the contractor in one or successive installments as may be decided by the Engineer-in-Charge.
24. Requisite quantity of cement as may be required for the work will be supplied from the nearest Departmental go down if stock permits. The issue rate of cement is shown in the Schedule of materials attached. Any excess consumption of cement by more than 5% over the final consumption statement drawn up as per consumption rate specified in the Schedule will be recovered at a penal rate shown in schedule.

25. Reinforcement steel rods/MS sheet piles/bitumen will be issued when stock permits, from the nearest departmental go-down where such material is available in marketable length/quantities. While issuing the same, for any particular work the quantity actually required as per approved drawing shall only be issued. While executing the work, it will be responsibility of the Contractor/bidder as well as the Engineer-in-Charge to get this quantity properly utilized in the work. Cut pieces, if any will not be taken back by the Department. Recovery for the total quantum of steel issued will be made at the issue rate shown in the Schedule below. In case of misuse over +10%, deduction will be made at a penal rate shown in the Schedule below. This whole principle shall apply in case of other M.S materials like sheet piles and structural steel members as well.

26. SCHEDULE OF MATERIALS TO BE SUPPLIED DEPARTMENTALLY AND THEIR RECOVERY RATES

Sl. No	Name of materials	Issue rate (in Rs.)	Unit	Penalty recovery rate for loss or misuse or wastage (if otherwise not mentioned specifically in the SoR)	Place of delivery
01	Cement		MT	2 (Two) times issue rate	Departmental Godown
02	Reinforcement steel rods, structural steel members, M.S sheet Piles	52035.20	MT	2 (Two) times issue rate	-do-
03	Bitumen		MT	2(Two) times issue rate	-do-



Sub-Divisional Officer
Kalianghai Kapaleswari Baghai Project Sub-Division No.-II
Sabang, Paschim Medinipur

Copy for information & wide Circulation to the:-

1. Superintending Engineer, Western Circle, II, I & W Dte. Midnapore, Paschim Medinipur.
2. Executive Engineer, K. K. B. Project Division, I & W Dte., Temathani, Sabang, Paschim Medinipur
3. Block Development Officer, Sabang Block, Paschim Medinipur
4. Sabhapati, Sabang PanchayatSamity, Sabang, Paschim Medinipur
5. Sub- Divisional Officer. /K.K.B Project Sub Division-I, I&W. Dte. Temathani (Sabang), Paschim Medinipur.
6. Sub- Divisional Officer. /K.K.B Project Sub Division-III, I&W. Dte. Sabang, Paschim Medinipur.
7. Secretary, Midnapore Sadar/ Contai/ Ghatal/ Jhargram/ Khargapur Sub- Divisional contractors' Association.
8. Secretary, Association of Paschim Medinipur Engineers' Co-operative societies Ltd, Midnapore, Paschim Medinipur.
9. Office Notice Board/ Divisional Accounts Officer / Estimating Section /Hd. Clerk / Cash Section of Kaliaghai Kapaleswari Baghai Project Division.
10. Office Notice Board of K.K.B Project Sub-Division No.-II



**Sub-Divisional Officer
Kaliaghai Kapaleswari Baghai Project Sub-Division No.-II
Sabang, Paschim Medinipur**

Memo No- 17^E, Date-22.01.2021

Govt. of West Bengal
Irrigation & Waterways Directorate,
Office of the Sub-Divisional Officer,
Kaliaghai Kapaleswari Baghai Project Sub-Division No.-II
Sabang, Paschim Medinipur.

LIST OF WORKS FOR NOTICE INVITING TENDER NO- 04/SDO/KKBPSD-II/2020-21 OF KALIAGHAI KAPALESWARI BAGHAI PROJECT SUB-DIVISION NO.-II (I & W Dte)
WITH ADDITIONAL TERMS AND CONDITIONS (TO FROM A PART OF THE TENDER DOCUMENTS).

Sl. No	Name of Work	Amount put to tender (In Rs.)	Earnest Money (In Rs.)	Time allowed for completion	Minimum eligibility criteria to match the Prequalification (PQ) credential	Physical Milestones for completion of each work within stipulated time (Refer to Clause 19 of the NIT)
1	Repair of severely damaged wooden bridge at Barda over Mirzapur Khal by reconstruction as wood-steel composite bridge at Mouza -Barda & Sibchak, Block & P.S.-Sabang, Dist- Paschim Medinipur under K.K.B. Project Sub Division -II of K.K.B.Project Division. I & W Dte.	265965.10	5319.00	30 (Thirty) days	Bonafied outsider having credential of similar type of work	
2	Repair of fully damaged wooden bridge at Markandachak over Amrakhali Khal by reconstruction as wood-steel composite bridge at Mouza -Markandachak & Sibchak, Block & P.S.-Sabang, Dist- Paschim Medinipur under K.K.B. Project Sub Division -II of K.K.B.Project Division. I & W Dte.	330053.08	6601.00	30 (Thirty) days	Do.	
3	Repair of fully damaged bridge at Tekhali over Ganapath Khal by reconstruction as wood-steel composite bridge at Mouza -Basuliya and Mohar, Block & P.S.-Sabang, Dist- Paschim Medinipur under K.K.B. Project Sub Division -II of K.K.B.Project Division. I & W Dte.	371317.58	7426.00	30 (Thirty) days	Do.	
4	Repair of fully damaged wooden bridge at Basuliya over Banskona Khal by reconstruction as wood-steel composite bridge at Mouza -Basuliya & Shyamsundarpur, Block & P.S.-Sabang, Dist- Paschim Medinipur under K.K.B. Project Sub Division -II of K.K.B.Project Division. I & W Dte.	485469.02	9709.00	30 (Thirty) days	Do.	
5	Repair of fully damaged wooden bridge at Basuliya North-Kon over Banskona Khal by reconstruction as wood-steel composite bridge at Mouza -Basuliya & Shyamsundarpur, Block & P.S.-Sabang, Dist- Paschim Medinipur under K.K.B. Project Sub Division -II of K.K.B.Project Division. I & W Dte.	485469.01	9709.00	30 (Thirty) days	Do.	
6	Restoration by EUC bullah to slip faliure at right bank of Amrakhali khal near Satbeta Primary school at Mouza -Bishnupur, Block & P.S.-Sabang, Dist- Paschim Medinipur under K.K.B. Project Sub Division-II of K.K.B.Project Division, I&W Dte.	448235.67	8965.00	45 (Fourty five) days	Do.	
11	Supply of unskilled labour for engaging different type of works at office, removal of different barrier from river and drainage channels under KKB Project Sub-Division No-II of KKB Project Division during the year '2021-22	431084.16	8622.00	365(Three hundred sixty five) Days	Do.	

Sub-Divisional Officer
Kaliaghai Kapaleswari Baghai Project Sub-Division No.-II
Sabang, Paschim Medinipur

TIME SCHEDULE OF NOTICE INVITING TENDER NO- **04/SDO/KKBPSD-II/20**20-21 OF KALIAGHAI KAPALESWARI BAGHAI PROJECT SUB- DIVISION NO.-II (I & W Dte)

a	<i>Date, time and Place for Dropping Tender Forms</i>	<i>29.01.2021</i>	<i>Up to 13:30 Hours</i>	<i>Office of the sub-Divisional officer, K.K.B. Project Sub-Division No.-II, Temathani, Sabang, Paschim Medinipur</i>
b	<i>Date, time and Place for Opening Tender Forms</i>	<i>29.01.2021</i>	<i>After 14:00 Hours</i>	<i>Office of the sub-Divisional officer, K.K.B. Project Sub-Division No.-II, Temathani, Sabang, Paschim Medinipur</i>

N.B: Original copies of all attested copies which one enclosed with the application should be produced for verification on demand. Payment will be made as per availability of fund of K. K. B. Project Division.



Sub-Divisional Officer
Kaliaghahi Kapaleswari Baghai Project Sub-Division No.-II
Sabang, Paschim Medinipur

FORM-1

APPLICATION FOR TENDER

To

Sub-Divisional officer
KKB Project Sub-Division No.-II
Irrigation & Waterways Directorate

Tender No:- 04/SDO/KKBPSD-II/2020-21

Serial No of Work applied for :-

**Amount put to Tender :Rs
(Tender Value)**

Dear Sir,

Having examined the NIT documents, I/we hereby would like to state that I/we willfully accept all your conditions and offer to execute the works as per Tender no and Serial no stated above. I/We also agree to remedy the defects after/during execution of the above work in conformity with the conditions of contract, specifications, drawings, bill of quantities and addenda.

Dated this _____ day of _____ 2021__

Full name of Bidder / Contractor: _____

Signature: _____

In the capacity of: _____

Duly authorized to sign bids
for& on behalf of (Name of Firm): _____
(In block Capital letters or typed)

Office address with seal if any:

Telephone no(s) (office): _____

Mobile No: _____

Fax No: _____

E mail ID: _____

FORM – 2
Declaration against Common Interest

(To be submitted in plain paper/letter head as per specimen, duly filled up and uploaded with digital signature, which shall be treated as the self declaration of the bidder)

Ref:- NIT No. - 04/SDO/KKBPSD-II/2020-21,

Sl. No. of work (in the list of work in the NIT)

To,
Sub-Divisional officer
KKB Project Sub-Division No.-I
Irrigation & Waterways Directorate

I/We, Sri/Smt. _____, the authorized signatory on behalf of do hereby affirm that I/We/any of the member of..... bidding against NIT No. Sl. No. do not have any common interest either as a partner in any other partnership firm /consortium/Joint Venture or as Proprietor / Principal Share Holder of any other Firm/Company in the same serial for the work I / we want to participate.

Dated this _____ day of _____ 20__

Full name of Bidder / Contractor: _____

Authorised Signatory: _____

In the capacity of: _____

Duly authorized to sign bid

for & on behalf of (Name of Firm): _____

(In block Capital letters or typed)

Office address with seal:

Telephone no(s) (office): _____

Mobile No: _____

Fax No: _____

E mail ID: _____

*In case of Joint Venture & Consortium the Lead Member to submit this format.

FORM -4

Declaration on antecedents and performance

(To be submitted in plain paper/letter head as per specimen, duly filled up and uploaded with digital signature, which shall be treated as the self declaration of the bidder)

Ref:- NIT No. - **04/SDO/KKBPSD-II/2020-21,**

Work Sl. No.....

To,
Sub-Divisional officer
KKB Project Sub-Division No.-I
Irrigation & Waterways Directorate

I/We, Sri/Smt. _____, the authorized signatory on behalf of do hereby affirm that I/We/any of the member of..... bidding against NIT No. Sl. No. are not black listed suspended or debarred from participation in State Government procurements and tenders in the Irrigation & Waterways Directorate, Government of West Bengal, other Departments of the State Government and Government of India on the date of publication of this Notice Inviting Tender (NIT).

If at a later stage this submission (undertaking) is found incorrect, the bidder company along with all its constituent members/owners/partners would be liable to penal actions as decided by the Government under the law.

Dated this _____ day of _____ 2021__

Full name of Bidder / Contractor: _____

Authorised Signatory: _____

In the capacity of: _____

Duly authorized to sign bid

for & on behalf of (Name of Firm): _____

(In block Capital letters or typed)

Office address with seal:

Telephone no(s) (office): _____

Mobile No: _____

Fax No: _____

E mail ID: _____

(SIGNATURE OF BIDDER)

FORM-6*
SPECIMEN FORMAT FOR THE BANK GUARANTEE FOR ADDITIONAL PERFORMANCE SECURITY DEPOSIT

(*To be submitted only if the bid price quoted by the bidder is below 20% of the estimated cost put to tender, non submission within 7 working days from date of issuance of LOA which may be maximum extended to 14 working days after issuance of LOA/LOI will lead to rejection of selected bidder. Similar standard format issued by RBI approved Bank pledging Bank Guarantee of the required value and period in favour of Engineer-in-Charge is acceptable)

To,

----- (Designation of Engineer-in-Charge)

----- (Office address of Engineer-in-Charge)

WHEREAS (name and address of Contractor) (hereafter called "the Contractor") has undertaken, in pursuance of Contract No: dated to execute (name of Contract and brief description of Works) (hereinafter called "the Contractor").

AND WHEREAS it has been stipulated by you in the said Contract that the Contractor shall furnish you with a Bank Guarantee by a Scheduled commercial bank for the sum specified therein for '**ADDITIONAL PERFORMANCE SECURITY DEPOSIT**' for compliance with his obligation in accordance with the Contract:

AND WHEREAS we (Indicate the name of the bank and branch) have agreed to give the Contractor such a Bank Guarantee:

NOW THEREFORE we ; (Indicate the name of bank and branch) hereby affirm that we are the Guarantor and responsible to you on behalf of the Contractor, upto a total of Rs. (amount of guarantee) (in words). We undertake to pay you, upon your first written demand and without cavil or argument, a sum within the limits of (amount of guarantee) as aforesaid without your needing to prove or to show grounds or reasons for your demand for the sum specified therein.

We (Indicate the name of the bank and branch) hereby waive the necessity of your demanding the said debt from the contractor before presenting us with the demand.

We (Indicate the name of the bank and branch) further agree to pay to you any money so demanded notwithstanding any dispute or disputes raised by the contractor(s) in any suit or proceeding pending before any court or Tribunal relating thereto, our liability under this present absolute and unequivocal.

The payment/so made by us under this bond shall be a valid discharge of our liability for payment there under and the contractor(s) shall have no claim against us for making such payment.

We (Indicate the name of the bank and branch) further agree that no change or addition to or other modification of the terms of the Contract or of the works to be performed there under or of any of the contract documents which may be made between you and the contractor shall in any way release us from any liability under this guarantee, and we hereby waive notice of any such change, addition or modification.

We (Indicate the name of the bank and branch) lastly undertake not to revoke this guarantee except with the previous consent of you in writing.

This guarantee shall be valid upto ----- . It come into force with immediate effect and shall remain in force and valid for a period upto the time of completion of the work under the stated contract plus claim period of six months for the Bank Guarantee. Notwithstanding, anything mentioned above, our liability against this guarantee is restricted to Rs (Rs.) and unless a

claim in writing is lodged with us within the validity period, i.e upto.....of this guarantee all our liabilities under this guarantee shall cease to exist.

Signed and sealed this day of 20 at

SIGNED, SEALED AND DELIVERED

For and on behalf of the BANK by:

(Signature)

(Name)

(Designation)

(Code Number)

(Address)

NOTES:

- i. The bank guarantee should contain the name, designation and code number of the officer(s) signing the guarantee

The address, telephone number and other details of the Head Office of the Bank as well as of issuing Branch (within West Bengal/AT PAR ANYWHERE IN INDIA only to be accepted) should be mentioned on the covering letter of issuing Branch.

**Government of West Bengal,
Office of the Sub-Divisional Officer
Kaliaghai Kapaleswari Baghai Project Sub-Division No.-II
Sabang, Paschim Medinipur.**

Notice Inviting Tender No.- 04/SDO/KKBPSD-II/2020-21, SL-01					
"Repair of severely damaged wooden bridge at Barda over Mirzapur Khal by reconstruction as wood-steel composite bridge at Mouza -Barda & Sibchak, Block & P.S.-Sabang, Dist- Paschim Medinipur under K.K.B. Project Sub Division -II of K.K.B.Project Division. I & W Dte.					
Amount Put To Tender :				Rs. 265965.10	
Earnest Money :				Rs. 5319.00	
Time Allowed for Completion :				30 days	
SI No	Description of items	QTY	Unit	Rate including GST & Cess	Amount
1	Supplying Jhaw/Eucalyptus bullah piles at work site, including dressing and making one end pointed.				
1.01	(v) 20 cm av. diameter	66	m	345.02	22771.32
1.02	(iv) 17.5 cm av. diameter	51	m	302.03	15403.53
2	Taking out Jhaw/Eucalyptus piles from river bed or from elsewhere including carrying, stacking materials in the nearest stack yard. (b) Above 17.5 cm. and up to 25 cm. diameter	45	m	15.95	717.75
3	Labour for driving Jhaw/Eucalyptus bullah piles by monkey in all sorts of soil including hoisting and placing piles in position, protecting the pile head with iron ring and cutting and shaping heads before and after driving and including hire and labour for necessary driving appliances and all tackles.				
3.01	(v) 20 cm av. diameter	33		134.61	4442.13
3.02	(iv) 17.5 cm av. diameter	34		126.69	4307.46
4	Best Seasoned wood work inshutters, posts, plates, rafters, battens, trusses, beams, purlins, bargas, wheel-guards, running boards, frames etc. including supplying at site, handling, hoisting, fitting & fixing in position excluding the cost of bolt and nuts only but including the cost of nails and screws with cost and carriage of all materials complete as per the direction of the Engineer-in-charge. (b)Hard Wood (Mahua/Arjun/Tentul etc or similar quality hard wood as approved by the Engineer-in-charge)	1.54		55540.79	85532.82
5	Labour charges for taking out old wood work including cutting bolts and nuts and stacking within a lead of 100metre etc.complete as per the direction of the Engineer-in-charge.(The quantum should be corrected upto 3 decimels)	0.7515		3082.52	2316.51
6	Supplying, fitting and fixing with iron nails half split bullah wailing pieces and cross pieces etc.complete with cost of all materials and carriage to site. (a) Width of thinner end above 10 cm. and less than 15 cm. (i) Jhaw / Eucalyptus.	60	m	117.64	7058.40
7	Coaltarring with 5% pitch including cost of material and labour complete as per direction of the Engineer-in-charge (a) Two coats.	114.83	Sqm	62.22	7144.72
8	M.S. structural works in columns, beams etc. with simple rolled structural members (e.g. joists, angle, channel sections conforming to IS: 226, IS: 808 & SP (6)- 1964 connected to one another with bracket, gussets, cleats as per design, direction of Engineer-in-charge complete including cutting to requisite shape and length, fabrication with necessary bolting, metal arc welding conforming to IS: 816- 1969 & IS: 1995 using electrodes of approved make and brand conforming to IS:814- 2004, haulage, hoisting and erection all complete. The rate includes the cost of rolled steel section, consumables such as electrodes, gas and hire charge of all tools and plants and labour required for the work including all incidental chages such as electricity charges, labour insurance charges etc. B)For structural member of specified section less than 22.50 kg/ Mtr.	1.11	MT	82128.51	91491.16
9	Painting on steel or other metal surface with any approved bituminous anticorrosive paint after preparing the surface including removing paints, cleaning, smoothening etc. including scaffolding where necessary including cost of all materials complete. b) Two Coat	36.152	sqm	64.48	2331.08

SI No	Description of items	QTY	Unit	Rate including GST & Cess	Amount
10	Supplying, dressing and stacking at site bamboo pins above 5cm.diameter and upto7.5cm diameter. (Dia.to be measured at mid length).	168.00	m	32.80	5510.40
11	Driving bamboo pins in standing or flowing water including scaffolding and driving appliances. (a) Where boats are not necessary.	101	m	12.44	1256.44
12	Supplying, fitting and fixing with iron nails half split bamboo wailing pieces (av. dia. of bamboo not less than 5.0 cm.)	32	m	24.89	796.48
13	Supplying to site empty cement polythene bags(capacity50kg)in good condition including stacking, incidental chargesetc.all complete(capacity 50 kg)	154	Nos.	6.79	1045.66
14	Labour charges for filling empty cement gunny bag/polythene bag (capacity50kg)with all kinds of earth (wetordry), sand or agreeegates (stone/ brick)and sewing as done incase of cement bags, (tying with aknot after filling will not be accepted), and stacking within a lead of 30metre as perdirection of Engr-in-charge(cost isexcluding the cost of any types of filling materials). NB:-Volume of earth/sand filled bags should not be less than 0.028cum/ bag.	154	Nos.	7.92	1219.68
15	Earthwork from borrowpits over existing embankment or for repairs to embankment, closing breaches etc. within an initial lead of 30metre and lift of 1.50metre including breaking clods and depositing the same in layers not exceeding 25cm. and rough dressing etc.complete as per profile.	36	cum	91.63	3298.68
16	Extrarate over Item Nos. For all kinds of soil for every additional lead of 30metres or part there of beyond the initial lead of 30metres. 03(three) extra lead	36	cum	40.72	1465.92
17	Supplying, spreading and consolidating Moorum to a depth of 75 mm at desired density and C.B.R. as per specification with power roller to proper gradient and camber including watering as necessary, and lighting, guarding, barricading and making adequate earthen bundh where necessary to protect the edges and curing with water for 2 to 3 days, mending cracks by rolling where necessary including all incidental charges of roller, cost of fuel & lubricants etc. complete as per specification.	4.8	cum	1636.45	7854.96
Amount Put to Tender					265965.10



Sub-Divisional Officer
K.K.B.Project Sub Division No.II
Sabang, Paschim Medinipur

I / We do hereby agree to do the above work @..... (..... Above / less / at par than the Schedule of Rates attached herewith

**Government of West Bengal,
Office of the Sub-Divisional Officer
Kaliaghai Kapaleswari Baghai Project Sub-Division No.-II
Sabang, Paschim Medinipur.**

Notice Inviting Tender No.- 04/SDO/KKBPSD-II/2020-21, SL-02					
Repair of fully damaged wooden bridge at Markandachak over Amrakhali Khal by reconstruction as wood-steel composite bridge at Mouza - Markandachak & Sibchak, Block & P.S.-Sabang, Dist- Paschim Medinipur under K.K.B. Project Sub Division -II of K.K.B.Project Division. I & W Dte.					
Amount Put To Tender :				Rs. 330053.08	
Earnest Money :				Rs. 6601.00	
Time Allowed for Completion :				30 days	
SI No	Description of items	QTY	Unit	Rate including GST & Cess	Amount
1	Supplying Jhaw/Eucalyptus bullah piles at work site, including dressing and making one end pointed.				
1.01	(v) 20 cm av. diameter	96.00	m	345.02	33121.92
1.02	(iv) 17.5 cm av. diameter	61.00	m	302.03	18423.83
2	Taking out Jhaw/Eucalyptus piles from river bed or from elsewhere including carrying, stacking materials in the nearest stack yard. (b) Above 17.5 cm. and up to 25 cm. diameter	72.00	m	15.95	1148.40
3	Labour for driving Jhaw/Eucalyptus bullah piles by monkey in all sorts of soil including hoisting and placing piles in position, protecting the pile head with iron ring and cutting and shaping heads before and after driving and including hire and labour for necessary driving appliances and all tackles.				
3.01	(v) 20 cm av. diameter	48.00		134.61	6461.28
3.02	(iv) 17.5 cm av. diameter	41.00		126.69	5194.29
4	Best Seasoned wood work inshutters, posts, plates, rafters, battens, trusses, beams, purlins, bargas, wheel-guards, running boards, frames etc. including supplying at site, handling, hoisting, fitting & fixing in position excluding the cost of bolt and nuts only but including the cost of nails and screws with cost and carriage of all materials complete as per the direction of the Engineer-in-charge. (b) Hard Wood (Mahua/Arjun/Tentul etc or similar quality hard wood as approved by the Engineer-in-charge)	1.870		55540.79	103861.28
5	Labour charges for taking out old wood work including cutting bolts and nuts and stacking within a lead of 100metre etc. complete as per the direction of the Engineer-in-charge. (The quantum should be corrected upto 3 decimels)	0.524		3082.52	1615.24
6	Supplying, fitting and fixing with iron nails half split bullah wailing pieces and cross pieces etc. complete with cost of all materials and carriage to site. (a) Width of thinner end above 10 cm. and less than 15 cm. (i) Jhaw / Eucalyptus.	80.00	m	117.64	9411.20
7	Coaltarring with 5% pitch including cost of material and labour complete as per direction of the Engineer-in-charge (a) Two coats.	146.990	Sqm	62.22	9145.72
8	M.S. structural works in columns, beams etc. with simple rolled structural members (e.g. joists, angle, channel sections conforming to IS: 226, IS: 808 & SP (6)- 1964 connected to one another with bracket, gussets, cleats as per design, direction of Engineer-in-charge complete including cutting to requisite shape and length, fabrication with necessary bolting, metal arc welding conforming to IS: 816- 1969 & IS: 1995 using electrodes of approved make and brand conforming to IS:814- 2004, haulage, hoisting and erection all complete. The rate includes the cost of rolled steel section, consumables such as electrodes, gas and hire charge of all tools and plants and labour required for the work including all incidental charges such as electricity charges, labour insurance charges etc. B) For structural member of specified section less than 22.50 kg/ Mtr.	1.343	MT	82128.51	110298.59

SI No	Description of items	QTY	Unit	Rate including GST & Cess	Amount
9	Painting on steel or other metal surface with any approved bituminous anticorrosive paint after preparing the surface including removing paints, cleaning, smoothening etc. including scaffolding where necessary including cost of all materials complete. b) Two Coat	43.836	sqm	64.48	2826.55
10	Supplying, dressing and stacking at site bamboo pins above 5cm.diameter and upto7.5cm diameter. (Dia.to be measured at mid length).	210.000	m	32.80	6888.00
11	Driving bamboo pins in standing or flowing water including scaffolding and driving appliances. (a) Where boats are not necessary.	126.000	m	12.44	1567.44
12	Supplying, fitting and fixing with iron nails half split bamboo wailing pieces (av. dia. of bamboo not less than 5.0 cm.)	40.000	m	24.89	995.60
13	Supplying to site empty cement polythene bags(capacity50kg)in good condition including stacking, incidental chargesetc.all complete(capacity 50 kg).	386	Nos.	6.79	2620.94
14	Labour charges for filling empty cement gunny bag/polythene bag (capacity50kg)with all kinds of earth (wetordry), sand or agreegates (stone/ brick)and sewing as done incase of cement bags, (tying with aknot after filling will not be accepted), and stacking within a lead of 30metre as perdirection of Engr-in-charge(cost isexcluding the cost of any types of filling materials). NB:-Volume of earth/sand filled bags should not be less than 0.028cum/ bag.	386	Nos.	7.92	3057.12
15	Earthwork from borrowpits over existing embankment or for repairs to embankment, closing breaches etc. within an initial lead of 30metre and lift of 1.50metre including breaking clods and depositing the same in layers not exceeding 25cm. and rough dressing etc.complete as per profile.	42.000	cum	91.63	3848.46
16	Extrarate over Item Nos. For all kinds of soil for every additional lead of 30metres or part there of beyond the initial lead of 30metres. 03(three) extra lead	42.000	cum	40.72	1710.24
17	Supplying, spreading and consolidating Moorum to a depth of 75 mm at desired density and C.B.R. as per specification with power roller to proper gradient and camber including watering as necessary, and lighting, guarding, barricading and making adequate earthen bundh where necessary to protect the edges and curing with water for 2 to 3 days, mending cracks by rolling where necessary including all incidental charges of roller, cost of fuel & lubricants etc. complete as per specification.	4.800	cum	1636.87	7856.98
Amount Put to Tender					330053.08



Sub-Divisional Officer
K.K.B.Project Sub Division No.II
Sabang, Paschim Medinipur

I / We do hereby agree to do the above work @..... (.....)

Above / less / at par than the Schedule of Rates attached herewith

**Government of West Bengal,
Office of the Sub-Divisional Officer
Kaliaghai Kapaleswari Baghai Project Sub-Division No.-II
Sabang, Paschim Medinipur.**

Notice Inviting Tender No.- 04/SDO/KKBPSD-II/2020-21, SL-03					
"Repair of fully damaged bridge at Tekhali over Ganapath Khal by reconstruction as wood-steel composite bridge at Mouza -Basuliya and Mohar, Block & P.S.-Sabang, Dist- Paschim Medinipur under K.K.B. Project Sub Division -II of K.K.B.Project Division. I & W Dte.					
Amount Put To Tender :				Rs. 371317.58	
Earnest Money :				Rs. 7426.00	
Time Allowed for Completion :				30 days	
SI No	Description of items	QTY	Unit	Rate including GST & Cess	Amount
1	Supplying Jhaw/Eucalyptus bullah piles at work site, including dressing and making one end pointed.				
1.01	(v) 20 cm av. diameter	144	m	345.02	49682.88
1.02	(iv) 17.5 cm av. diameter	71	m	302.03	21444.13
2	Labour for driving Jhaw/Eucalyptus bullah piles by monkey in all sorts of soil including hoisting and placing piles in position, protecting the pile head with iron ring and cutting and shaping heads before and after driving and including hire and labour for necessary driving appliances and all tackles.				
2.01	(v) 20 cm av. diameter	72		134.61	9691.92
2.02	(iv) 17.5 cm av. diameter	47		126.69	5954.43
3	Best Seasoned wood work inshutters, posts, plates, rafters, battens, trusses, beams, purlins, bargas, wheel-guards, running boards, frames etc. including supplying at site, handling, hoisting, fitting & fixing in position excluding the cost of bolt and nuts only but including the cost of nails and screws with cost and carriage of all materials complete as perthe direction of the Engineer-in-charge. (b)Hard Wood (Mahua/Arjun/Tentul etc or similarquality hard wood as approved by the Engineer-in-charge)	2.09		55540.79	116080.25
4	Supplying, fitting and fixing with iron nails half split bullah wailing pieces and cross pieces etc.complete with cost of all materials and carriage to site. (a) Width of thinner end above 10 cm. and less than 15 cm. (i) Jhaw / Eucalyptus.	110	m	117.64	12940.40
5	Coaltarring with 5% pitch including cost of material and labour complete as per direction of the Engineer-in-charge (a) Two coats.	184.27	Sqm	62.22	11465.28
6	M.S. structural works in columns, beams etc. with simple rolled structural members (e.g. joists, angle, channel sections conforming to IS: 226, IS: 808 & SP (6)- 1964 connected to one another with bracket, gussets, cleats as per design, direction of Engineer-in-charge complete including cutting to requisite shape and length, fabrication with necessary bolting, metal arc welding conforming to IS: 816- 1969 & IS: 1995 using electrodes of approved make and brand conforming to IS:814- 2004, haulage, hoisting and erection all complete. The rate includes the cost of rolled steel section, consumables such as electrodes, gas and hire charge of all tools and plants and labour required for the work including all incidental chages such as electricity charges, labour insurance charges etc. B)For stuctural member of specified section less than 22.50 kg/ Mtr.	1.52	MT	82128.51	124424.69
7	Painting on steel or other metal surface with any approved bituminous anticorrosive paint after preparing the surface including removing paints, cleaning, smoothening etc. including scaffolding where necessary including cost of all materials complete. b) Two Coat	49.252	sqm	64.48	3175.77
8	Supplying, dressing and stacking at site bamboo pins above 5cm.diameter and upto7.5cm diameter. (Dia.to be measured at mid length).	126.00	m	32.80	4132.80

SI No	Description of items	QTY	Unit	Rate including GST & Cess	Amount
9	Driving bamboo pins in standing or flowing water including scaffolding and driving appliances. (a) Where boats are not necessary.	76	m	12.44	945.44
10	Supplying, fitting and fixing with iron nails half split bamboo wailing pieces (av. dia. of bamboo not less than 5.0 cm.)	24	m	24.89	597.36
11	Supplying to site empty cement polythene bags(capacity50kg)in good condition including stacking, incidental chargesetc.all complete(capacity 50 kg).	214	Nos.	6.79	1453.06
12	Labour charges for filling empty cement gunny bag/polythene bag (capacity50kg)with all kinds of earth (wetordry), sand or agreeegates (stone/ brick)and sewing as done incase of cement bags, (tying with aknot after filling will not be accepted), and stacking within a lead of 30metre as perdirection of Engr-in-charge(cost isexcluding the cost of any types of filling materials). NB:-Volume of earth/sand filled bags should not be less than 0.028cum/ bag.	214	Nos.	7.92	1694.88
13	Earthwork from borrowpits over existing embankment or for repairs to embankment, closing breaches etc. within an initial lead of 30metre and lift of 1.50metre including breaking clods and depositing the same in layers not exceeding 25cm. and rough dressing etc.complete as per profile.	28	cum	91.63	2565.64
14	Extrarate over Item Nos. For all kinds of soil for every additional lead of 30metres or part there of beyond the initial lead of 30metres. 03(three) extra lead	28	cum	40.72	1140.16
15	Supplying, spreading and consolidating Moorum to a depth of 75 mm at desired density and C.B.R. as per specification with power roller to proper gradient and camber including watering as necessary, and lighting, guarding, barricading and making adequate earthen bundh where necessary to protect the edges and curing with water for 2 to 3 days, mending cracks by rolling where necessary including all incidental charges of roller, cost of fuel & lubricants etc. complete as per specification.	2.4	cum	1636.87	3928.49
Amount Put to Tender					371317.58



Sub-Divisional Officer
K.K.B.Project Sub Division No.II
Sabang, Paschim Medinipur

I / We do hereby agree to do the above work @..... (.....)
Above / less / at par than the Schedule of Rates attached herewith

Sign of Contractor

**Government of West Bengal,
Office of the Sub-Divisional Officer
Kaliaghai Kapaleswari Baghai Project Sub-Division No.-II
Sabang, Paschim Medinipur.**

Notice Inviting Tender No.- 04/SDO/KKBPSD-II/2020-21, SL-04					
Repair of fully damaged wooden bridge at Basuliya over Banskona Khal by reconstruction as wood-steel composite bridge at Mouza -Basuliya & Shyamsundarpur, Block & P.S.-Sabang, Dist- Paschim Medinipur under K.K.B. Project Sub Division -II of K.K.B.Project Division. I & W Dte.					
Amount Put To Tender :				Rs. 485469.02	
Earnest Money :				Rs. 9709.00	
Time Allowed for Completion :				30 days	
SI No	Description of items	QTY	Unit	Rate including GST & Cess	Amount
1	Supplying Jhaw/Eucalyptus bullah piles at work site, including dressing and making one end pointed.				
1.01	(v) 20 cm av. diameter	162.00	m	345.02	55893.24
1.02	(iv) 17.5 cm av. diameter	81.00	m	302.03	24464.43
2	Taking out Jhaw/Eucalyptus piles from river bed or from elsewhere including carrying, stacking materials in the nearest stack yard. (b) Above 17.5 cm. and up to 25 cm. diameter	72.00	m	15.95	1148.40
3	Labour for driving Jhaw/Eucalyptus bullah piles by monkey in all sorts of soil including hoisting and placing piles in position, protecting the pile head with iron ring and cutting and shaping heads before and after driving and including hire and labour for necessary driving appliances and all tackles.				
3.01	(v) 20 cm av. diameter	81.00		134.61	10903.41
3.02	(iv) 17.5 cm av. diameter	54.00		126.69	6841.26
4	Best Seasoned wood work inshutters, posts, plates, rafters, battens, trusses, beams, purlins, bargas, wheel-guards, running boards, frames etc. including supplying at site, handling, hoisting, fitting & fixing in position excluding the cost of bolt and nuts only but including the cost of nails and screws with cost and carriage of all materials complete as per the direction of the Engineer-in-charge. (b)Hard Wood (Mahua/Arjun/Tentul etc or similar quality hard wood as approved by the Engineer-in-charge)	2.860		55540.79	158846.66
5	Labour charges for taking out old wood work including cutting bolts and nuts and stacking within a lead of 100metre etc.complete as per the direction of the Engineer-in-charge.(The quantum should be corrected upto 3 decimels)	0.524		3082.52	1615.24
6	Supplying, fitting and fixing with iron nails half split bullah wailing pieces and cross pieces etc.complete with cost of all materials and carriage to site. (a) Width of thinner end above 10 cm. and less than 15 cm. (i) Jhaw / Eucalyptus.	120.00	m	117.64	14116.80
7	Coaltarring with 5% pitch including cost of material and labour complete as per direction of the Engineer-in-charge (a) Two coats.	226.43	Sqm	62.22	14088.47
8	M.S. structural works in columns, beams etc. with simple rolled structural members (e.g. joists, angle, channel sections conforming to IS: 226, IS: 808 & SP (6)- 1964 connected to one another with bracket, gussets, cleats as per design, direction of Engineer-in-charge complete including cutting to requisite shape and length, fabrication with necessary bolting, metal arc welding conforming to IS: 816- 1969 & IS: 1995 using electrodes of approved make and brand conforming to IS:814-2004, haulage, hoisting and erection all complete. The rate includes the cost of rolled steel section, consumables such as electrodes, gas and hire charge of all tools and plants and labour required for the work including all incidental chages such as electricity charges, labour insurance charges etc. B)For structural member of specified section less than 22.50 kg/ Mtr.	2.013	MT	82128.51	165324.69
9	Painting on steel or other metal surface with any approved bituminous anticorrosive paint after preparing the surface including removing paints, cleaning, smoothening etc. including scaffolding where necessary including cost of all materials complete. b) Two Coat	66.008	sqm	64.48	4256.20

SI No	Description of items	QTY	Unit	Rate including GST & Cess	Amount
10	Supplying, dressing and stacking at site bamboo pins above 5cm.diameter and upto7.5cm diameter. (Dia.to be measured at mid length).	210.00	m	32.80	6888.00
11	Driving bamboo pins in standing or flowing water including scaffolding and driving appliances. (a) Where boats are not necessary.	126.00	m	12.44	1567.44
12	Supplying, fitting and fixing with iron nails half split bamboo wailing pieces (av. dia. of bamboo not less than 5.0 cm.)	40.00	m	24.89	995.60
13	Supplying to site empty cement polythene bags(capacity50kg)in good condition including stacking, incidental chargesetc.all complete(capacity 50 kg).	386.00	Nos.	6.79	2620.94
14	Labour charges for filling empty cement gunny bag/polythene bag (capacity50kg)with all kinds of earth (wetordry), sand or agreeegates (stone/ brick)and sewing as done incase of cement bags, (tying with aknot after filling will not be accepted), and stacking within a lead of 30metre as perdirection of Engr-in-charge(cost isexcluding the cost of any types of filling materials). NB:-Volume of earth/sand filled bags should not be less than 0.028cum/ bag.	386	Nos.	7.92	3057.12
15	Earthwork from borrowpits over existing embankment or for repairs to embankment, closing breaches etc. within an initial lead of 30metre and lift of 1.50metre including breaking clods and depositing the same in layers not exceeding 25cm. and rough dressing etc.complete as per profile.	52.500	cum	91.63	4810.58
16	Extrarate over Item Nos. For all kinds of soil for every additional lead of 30metres or part there of beyond the initial lead of 30metres. 03(three) extra lead	52.500	cum	40.72	2137.80
17	Supplying, spreading and consolidating Moorum to a depth of 75 mm at desired density and C.B.R. as per specification with power roller to proper gradient and camber including watering as necessary, and lighting, guarding, barricading and making adequate earthen bundh where necessary to protect the edges and curing with water for 2 to 3 days, mending cracks by rolling where necessary including all incidental charges of roller, cost of fuel & lubricants etc. complete as per specification.	3.600	cum	1636.87	5892.74
Amount Put to Tender					485469.02



Sub-Divisional Officer
K.K.B.Project Sub Division No.II
Sabang, Paschim Medinipur

I / We do hereby agree to do the above work @..... (.....)

Above / less / at par than the Schedule of Rates attached herewith

Sign of Contractor

**Government of West Bengal,
Office of the Sub-Divisional Officer
Kaliaghai Kapaleswari Baghai Project Sub-Division No.-II
Sabang, Paschim Medinipur.**

Notice Inviting Tender No.- 04/SDO/KKBPSD-II/2020-21, SL-05					
"Repair of fully damaged wooden bridge at Basuliya North-Kon over Banskona Khal by reconstruction as wood-steel composite bridge at Mouza -Basuliya & Shyamsundarpur, Block & P.S.-Sabang, Dist- Paschim Medinipur under K.K.B. Project Sub Division -II of K.K.B.Project Division. I & W Dte.					
Amount Put To Tender :				Rs. 485469.01	
Earnest Money :				Rs. 9709.00	
Time Allowed for Completion :				30 days	
SI No	Description of items	QTY	Unit	Rate including GST & Cess	Amount
1	Supplying Jhaw/Eucalyptus bullah piles at work site, including dressing and making one end pointed.				
1.01	(v) 20 cm av. diameter	162.00	m	345.02	55893.24
1.02	(iv) 17.5 cm av. diameter	81.00	m	302.03	24464.43
2	Taking out Jhaw/Eucalyptus piles from river bed or from elsewhere including carrying, stacking materials in the nearest stack yard. (b) Above 17.5 cm. and up to 25 cm. diameter	72.00	m	15.95	1148.40
3	Labour for driving Jhaw/Eucalyptus bullah piles by monkey in all sorts of soil including hoisting and placing piles in position, protecting the pile head with iron ring and cutting and shaping heads before and after driving and including hire and labour for necessary driving appliances and all tackles.				
3.01	(v) 20 cm av. diameter	81.00		134.61	10903.41
3.02	(iv) 17.5 cm av. diameter	54.00		126.69	6841.26
4	Best Seasoned wood work inshutters, posts, plates, rafters, battens, trusses, beams, purlins, bargas, wheel-guards, running boards, frames etc. including supplying at site, handling, hoisting, fitting & fixing in position excluding the cost of bolt and nuts only but including the cost of nails and screws with cost and carriage of all materials complete as per the direction of the Engineer-in-charge. (b)Hard Wood (Mahua/Arjun/Tentul etc or similar quality hard wood as approved by the Engineer-in-charge)	2.860		55540.79	158846.66
5	Labour charges for taking out old wood work including cutting bolts and nuts and stacking within a lead of 100metre etc.complete as per the direction of the Engineer-in-charge.(The quantum should be corrected upto 3 decimels)	0.524		3082.52	1615.24
6	Supplying, fitting and fixing with iron nails half split bullah wailing pieces and cross pieces etc.complete with cost of all materials and carriage to site. (a) Width of thinner end above 10 cm. and less than 15 cm. (i) Jhaw / Eucalyptus.	120.00	m	117.64	14116.80
7	Coaltarring with 5% pitch including cost of material and labour complete as per direction of the Engineer-in-charge (a) Two coats.	226.430	Sqm	62.22	14088.47
8	M.S. structural works in columns, beams etc. with simple rolled structural members (e.g. joists, angle, channel sections conforming to IS: 226, IS: 808 & SP (6)- 1964 connected to one another with bracket, gussets, cleats as per design, direction of Engineer-in-charge complete including cutting to requisite shape and length, fabrication with necessary bolting, metal arc welding conforming to IS: 816-1969 & IS: 1995 using electrodes of approved make and brand conforming to IS:814- 2004, haulage, hoisting and erection all complete. The rate includes the cost of rolled steel section, consumables such as electrodes, gas and hire charge of all tools and plants and labour required for the work including all incidental chages such as electricity charges, labour insurance charges etc. B)For stuctural member of specified section less than 22.50 kg/ Mtr.	2.013	MT	82128.51	165324.69
9	Painting on steel or other metal surface with any approved bituminous anticorrosive paint after preparing the surface including removing paints, cleaning, smoothening etc. including scaffolding where necessary including cost of all materials complete. b) Two Coat	66.008	sqm	64.48	4256.20
10	Supplying, dressing and stacking at site bamboo pins above 5cm.diameter and upto7.5cm diameter. (Dia.to be measured at mid length).	210.00	m	32.80	6888.00

SI No	Description of items	QTY	Unit	Rate including GST & Cess	Amount
11	Driving bamboo pins in standing or flowing water including scaffolding and driving appliances. (a) Where boats are not necessary.	126.00	m	12.44	1567.44
12	Supplying, fitting and fixing with iron nails half split bamboo wailing pieces (av. dia. of bamboo not less than 5.0 cm.)	40.00	m	24.89	995.60
13	Supplying to site empty cement polythene bags(capacity50kg)in good condition including stacking, incidental chargesetc.all complete(capacity 50 kg).	386.00	Nos.	6.79	2620.94
14	Labour charges for filling empty cement gunny bag/polythene bag (capacity50kg)with all kinds of earth (wetordry), sand or agreegates (stone/ brick)and sewing as done incase of cement bags, (tying with aknot after filling will not be accepted), and stacking within a lead of 30metre as perdirection of Engr-in-charge(cost isexcluding the cost of any types of filling materials). NB:-Volume of earth/sand filled bags should not be less than 0.028cum/ bag.	386.00	Nos.	7.92	3057.12
15	Earthwork from borrowpits over existing embankment or for repairs to embankment, closing breaches etc. within an initial lead of 30metre and lift of 1.50metre including breaking clods and depositing the same in layers not exceeding 25cm. and rough dressing etc.complete as per profile.	52.500	cum	91.63	4810.58
16	Extrarate over Item Nos. For all kinds of soil for every additional lead of 30metres or part there of beyond the initial lead of 30metres. 03(three) extra lead	52.500	cum	40.72	2137.80
17	Supplying, spreading and consolidating Moorum to a depth of 75 mm at desired density and C.B.R. as per specification with power roller to proper gradient and camber including watering as necessary, and lighting, guarding, barricading and making adequate earthen bundh where necessary to protect the edges and curing with water for 2 to 3 days, mending cracks by rolling where necessary including all incidental charges of roller, cost of fuel & lubricants etc. complete as per specification.	3.600	cum	1636.87	5892.73
Amount Put to Tender					485469.01



Sub-Divisional Officer
K.K.B.Project Sub Division No.II
Sabang, Paschim Medinipur

I / We do hereby agree to do the above work @..... (.....)
Above / less / at par than the Schedule of Rates attached herewith

Sign of Contractor

**Government of West Bengal,
Office of the Sub-Divisional Officer
Kaliaghai Kapaleswari Baghai Project Sub-Division No.-II
Sabang, Paschim Medinipur.**

Notice Inviting Tender No.- 04/SDO/KKBPSD-II/2020-21, SL-06					
Restoration by EUC bullah to slip failiure at right bank of Amrakhali khal near Satbetia Primary school at Mouza -Bishnupur, Block & P.S.- Sabang, Dist- Paschim Medinipur under K.K.B. Project Sub Division-II of K.K.B.Project Division, I&W Dte.					
Amount Put To Tender : Rs. 448235.67					
Earnest Money : Rs. 8965.00					
Time Allowed for Completion : 45 days					
Sl. No.	Description of Item	Unit	Quantity	Rate including G.S.T & Cess	Amount
1	Supplying Jhaw/Eucalyptus bullah piles at worksite, including dressing and making one end pointed. III) 15.00 cm. Av. Diametre	mtr	851.000	₹ 245.47	₹ 2,08,894.97
2	Labour for driving Jhaw/Eucalyptus bullah piles by monkey in all sorts of soil including hoisting and placing piles in position , protecting the pile head with iron ring and cutting and shaping heads before and after driving and including hire and labour for necessary driving appliances and all tackles. (iii) 15 cm av. diameter	mtr	749.500	₹ 118.78	₹ 89,025.61
3	Supplying, fitting and fixing with iron nails half split bullah wailing pieces and cross pieces etc. complete with cost of all materials and carriage to site. (a) Width of thinner end above 10 cm. and less than 15 cm.	mtr	568.000	₹ 117.64	₹ 66,819.52
4	Supplying to site empty cement polythene bags (capacity 50 kg) in good condition including stacking, incedental charges etc.all complete (capacity 50 kg). (Departmental supply)	no	771.00	0.00	0.00
5	Labour charges for filling empty cement gunny bag/polythene bag (capacity 50 kg) with allkinds of earth (wet or dry), sand or agreeegates (stone/brick) and sewing as done in case of cement bags, (tying with ak no tafter filling will not be accepted), and stacking within a lead of 30 metre as per direction of Engr-in-charge (costis excluding the cost of any types of filling materials) . NB:-Volume of earth /sand filled bags should not be less than 0.028 cum / bag.	no	771.00	7.92	6,106.32
6	Earthwork from borrowpits over existing embankment or for repairs to embankment, closing breaches etc. within an initial lead of 30metre and lift of 1.50metre including breaking clods and depositing the same in layers not exceeding 25cm. and rough dressing etc.complete as per profile.	Cum	192.000	₹ 91.63	₹ 17,592.96
7	Extrarate over Item No. 6 For all kinds of soil for every additional lead of 30metres or part there of beyond the initial lead of 30metres. 03(three) extra lead	Cum	192.000	₹ 40.72	₹ 7,818.24
8	Supplying, testing and installation of open Weave Jute Geo-textile (JGT) having overall weight of 500 gm/sq. m, thickness 6 mm, width 1220 mm, Tensile strength 10 KN/m (Warp direction) × 7.50 KN/m (weft direction) on slopes of embankments dressed and cut to a gradient as per design and drawing for control of surface soil erosion on proposed bank slope of embankment including the cost of preparation of subgrade and excavating the trenches of 500 mm deep and spade-width wide where necessary, and filling the trenches with earth duly secured to sub-grade by U shape MS staples (11 gauges) or wooden or plastic pegs at an interval of 450 mm, providing side lapping of 100 mm and horizontal lapping of 300 mm as per direction complete.The rate is inclusive of all incidental charges, transportation by all means to the work site, all leads and lifts complete.	Sqm	300.000	₹ 65.61	₹ 19,683.00
9	Bricks / Jhama / Bats Sorted & stacked at site. (e) Jhama metal (kiln burnt)	Cum	10.800	₹ 1,616.48	₹ 17,457.98

Sl. No.	Description of Item	Unit	Quantity	Rate including G.S.T & Cess	Amount
10	Labour charge for dumping / laying of Laterite / Stone Boulders 25 kg & above / Shingles / Brick Bats, from stack of worksite with all leads and lifts in water or spreading the same on the slope of the bank of River/Sea or the slope of the embankment or in the River/ Sea bed to an uniform thickness as per direction of the Engineer-in-charge including cost of all accessories and other incidental charges. (d) Brick Bats	Cum	10.800	₹ 128.96	₹ 1,392.77
11	Supplying, spreading and consolidating Moorum to a depth of 75 mm at desired density and C.B.R. as per specification with power roller to proper gradient and camber including watering as necessary, and lighting, guarding, barricading and making adequate earthen bundh where necessary to protect the edges and curing with water for 2 to 3 days, mending cracks by rolling where necessary including all incidental charges of roller, cost of fuel & lubricants etc. complete as per specification.	Cum	7.200	₹ 1,565.93	₹ 11,274.70
12	Cutting and clearing jungles including shrubs, water weeds, bushes, trees, plants, upto 30 cm. girth including removing as directed by Engineer-in-charge.	Sqm	960.000	₹ 2.26	₹ 2,169.60
Amount Put to Tender					₹ 4,48,235.67



Sub-Divisional Officer
K.K.B.Project Sub Division No.II
Sabang, Paschim Medinipur

I / We do hereby agree to do the above work @..... (.....)

Above / less / at par than the Schedule of Rates attached herewith

Sign of Contractor

**Government of West Bengal,
Office of the Sub-Divisional Officer
Kaliaghai Kapaleswari Baghai Project Sub-Division No.-II
Sabang, Paschim Medinipur.**

Notice Inviting Tender No.- 04/SDO/KKBPSD-II/2020-21, SL-07	
"Supply of unskilled labour for engaging different type of works at office, removal of different barrier from river and drainage channels under KKB Project Sub-Division No-II of KKB Project Division during the year '2021-22"	
Amount Put To Tender :	Rs. 431084.16
Earnest Money :	Rs. 8622.00
Time Allowed for Completion :	365 days

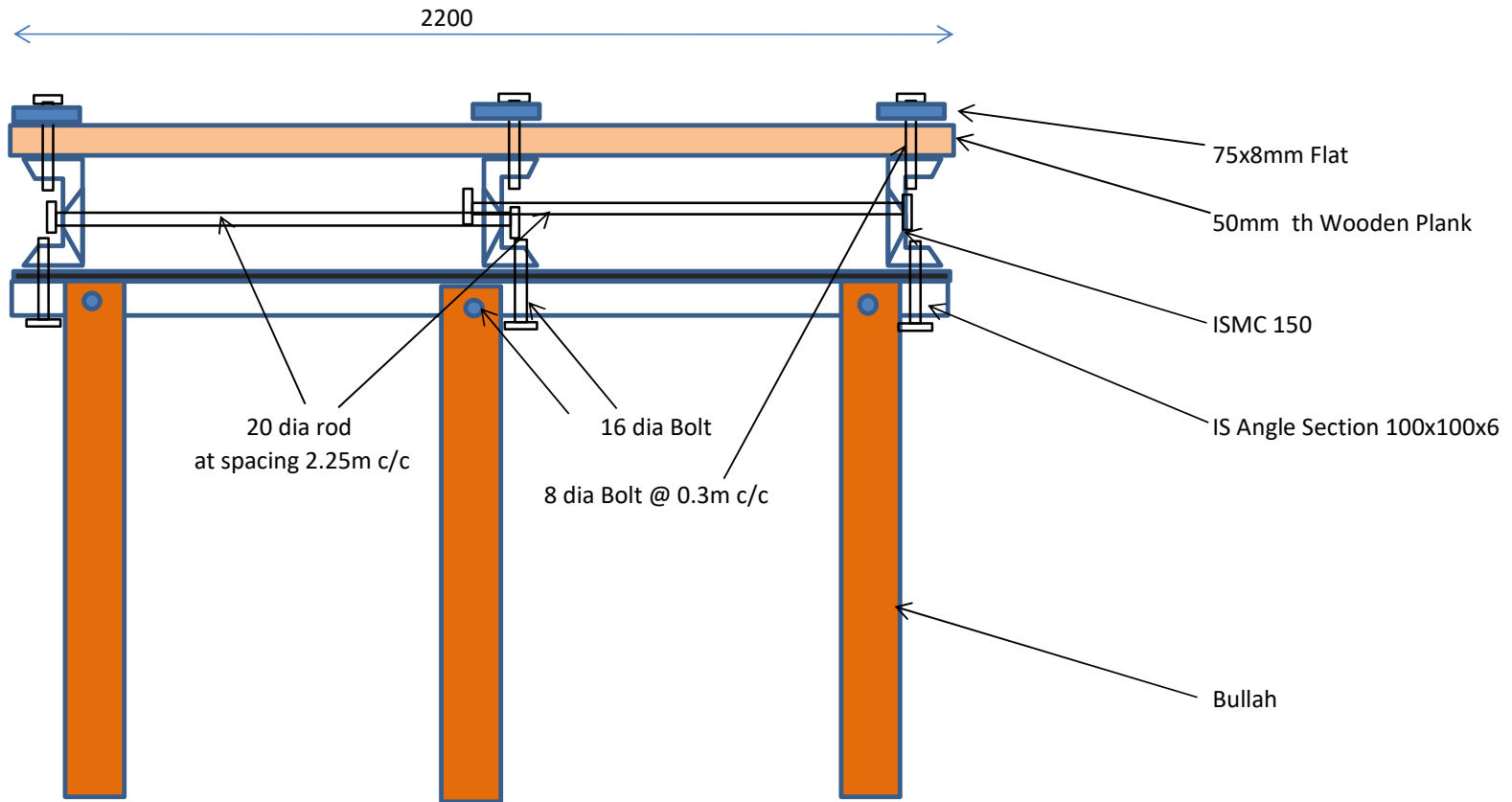
Item No.	Description of Item	Qty	Unit	Rate	Amount
1	Supply of daily mazdoor to perform different type of works.				
	Total no. of mandays =	1248.00	Days	₹ 345.42	₹ 4,31,084.16



Sub-Divisional Officer
K.K.B.Project Sub Division No.II
Sabang, Paschim Medinipur

I / We do hereby agree to do the above work @..... (.....)
Above / less / at par than the Schedule of Rates attached herewith

Sign of Contractor



Typical Arrangement of Bullah, Cross & Long Beam of steel IS Section and wooden Deck

Junior Engineer
K.K.B.Project Sub Division No.II
Sabang, Paschim Medinipur

Sub-Divisional Officer
K.K.B.Project Sub Division No.II
Sabang, Paschim Medinipur

Check for BM :

Span L = 2.5 m
Let us consider udl = 1 KN/m
(considering 40 cement bag load) Point load from single wheel P = 10 KN
M = 9.375 KNm
= 9375000 N-mm

Fe250 the Yield Strength is 250 N/mm^2 , Hence Maximum Permissible Stress, $f = 165 \text{ N/sq.mm}$
Req. section modulus Z = $M/f = 56818.182 \text{ cu.mm}$
= 56.818182 cu.cm

For ISMC 125 section modulus = 66.6 cu.cm Hence, OK

E = 20000000 N/cm^2

I = 416.4 cm^4

Check for shear:

EI = $8.328 \times 10^9 \text{ N-cm}^2$

= 832.8 KN-m^2

V = 11.25 KN 11250 N

tw = 5

h = 125

S = 18 N/sqmm

allowable \leq 100 N/sqmm Hence, OK

Check for Deflection :

Delta = $(5/384) \times WL^3/EI + PL^3/48EI = 0.000611 + 0.003909$

= 0.004519 m = 4.519494 mm

Permissible Delta = $L/300 = 0.008333 \text{ m} = 8.333333 \text{ mm}$

Issued to (Bidder):

Postal Address with Contact No. & e-mail

Price – Free of Cost

West Bengal Form No. 2911

Applicable For Works of value up to Rs 25 (Twenty Five) Crore

Tender No. _____, Sl. No. _____ of _____ (Year)

**TENDER AND CONTRACT FOR WORKS
GENERAL RULES AND DIRECTIONS FOR GUIDANCE OF
BIDDERS/CONTRACTORS**

(A) Applicable for off-line tenders up to Tender Value of Rs. 5.0 lakh

1. All work proposed for execution by contract will be notified in the form of invitation to tender posted in concerned departmental website, e-procurement portal of the Government of West Bengal (<https://wbtenders.gov.in>) and to be published in local news paper for wide circulation also in the notice boards at public places signed by the Tender Inviting Authority.

This form will state the work to be carried out, the date for submitting and opening of tenders as well as the time allowed for carrying out the work; also the amount of earnest money to be deposited with the tender, the amount of security deposit to be deposited by the successful bidder and the percentage, if any, to be deducted from bills. Copies of the specification, design & drawings and other documents required in connection with the work, signed for the purpose of identification by the Authority inviting Tender shall also be open for inspection by the contractor at the office of the Tender Inviting Authority during Office hours.

2. In the event of the tender being submitted by a firm, it must be signed separately by each member thereof, or, in the event of absence of any of the partners, it must be signed on his/her behalf by a person holding a Power-of-Attorney authorizing him/her to do so. Such power-of-attorney is to be produced with the tender, and in the case of a firm carried on by one member of a joint family; it must disclose that the firm is duly registered under the Indian Partnership Act.

3. Acceptance of measurements entered and bills raised on account of a work, when executed by a firm, must also be signed by the several partners, except where the contractors are described in their tender as a firm in which case the receipts must be signed in the name of the firm by one of the partners or by some other person having authority to give effectual receipt for the firm.

4. Any person who submits a tender shall fill up the usual printed form, stating at what rate he or she is willing to undertake the work. Tenders which propose any alteration in the work specified in the said form of invitation to tender, or in the time allowed for carrying out the work, or which contain any other conditions of any sort, will be liable to rejection. No single tender shall include more than one work, but contractors who wish to tender for two or more works shall submit a separate tender for each. Tenders shall have the name and number of the work to which they refer, written outside the sealed envelopes.

5. The Tender Inviting Authority or his/her duly authorized representative will open tenders in presence of intending contractors/bidders who may be present at the time, and

will enter the bid amounts as percentage rates above or below or at par of the tender BOQ of several tenders in a comparative statement in a suitable form. In the event of a tender being accepted, a receipt shall thereupon be given to the contractor/bidder who shall thereupon for the purpose of identification, sign copies of specifications and other documents mentioned in the Rules. In the event of a tender being rejected, the earnest money with such unaccepted tender shall be refunded within 10 days from the date on which the tender is decided, provided the contractor(s) present himself/herself before the Tender Inviting Authority to take the earnest money refund.

6. The accepting authority reserves the right to reject any or all of the tenders without assigning any reasons to the participating bidders and he/she will not be bound to accept either the lowest tender or any of the other tenders.

7. Receipt of an accountant or clerk for any money paid by the contractor/bidder will not be considered as an acknowledgement of payment to the Tender Inviting Authority and the contractor shall be responsible for ensuring that he/she procures a receipt signed by the Tender Inviting Authority, or a duly authorized representative.

8. The Memorandum of work tendered for, and the schedule of materials to be supplied by the executing Department at their supply/issue rates, shall be filled in and completed in the office of the Tender Inviting Authority before the tender form is issued. If a form is issued to an intending bidder/contractor without having been so filled in and completed, he/she shall request the office to have this done before he/she completes and delivers his/her tender.

(B) Applicable for e-tenders of value above Rs. 5.0 Lakh

1. All works of tender value above Rs. 5.00 lakh proposed for execution through this contract document are to be notified and published in the form of notice inviting e-tender (e-NIT) in the designated official tender website of Government of West Bengal having URL <https://wbtenders.gov.in>, and uploaded simultaneously in the URL of concerned Department inviting Tenders. Thus the tender may be seen and downloaded by logging into the “e-procurement” link provided therein, digitally signed by the concerned Tender Inviting Authority and its corresponding abridged notice also published on the same date in the print media.

2. This e-Notice Inviting Tender (e-NIT) will state the work to be carried out, the date for encrypting (submitting) and decrypting (opening) of e-tenders, the time allowed for carrying out the work; amount of earnest money to be deposited with the e-tender; procedure for submission of EMD, amount of security to be furnished by the successful bidder/contractor, security/ performance security to be deducted from running account bills, copies of specifications, Bill of Quantities, design and drawings and any other document required in connection with the work, digitally signed for the purpose of identification by the Tender Inviting Authority.

3. Intending contractors/bidders are required to download the e-tender documents directly from the website stated above. Tender is required to be submitted online by the intending bidders by authorized e-Tokens provided as DSC. This is the only mode of e-submission of tender and document(s). All information posted in the website consisting of e-NIT, WB Form No. 2911, Tender Bill of Quantities (BOQ), corrigenda notices and drawings etc., if any, shall form part of the Contract. Details of procedure of submission have been explained under “General Terms & Conditions” and Annexure attached with the notice of e-tender (e-NIT).

4. All the documents uploaded by the Tender Inviting Authority forms an integral part of the tender contract/agreement. Contractors/bidders are required to upload the entire set of tender documents along with other related documents as asked for in the e-tender through the above website(s) within the stipulated date and time as given in the e-NIT. Tenders are to be submitted in two folders at a time for each work, one being the ‘Technical Bid’ and the other ‘Financial Bid’. The contractor/ bidder shall carefully go through all the documents and prepare to upload the scanned documents in Portable Document Format (PDF) in the designated link in the web portal as their Technical Bid. He/she needs to fill up the rates of items/percentage in the BOQ downloaded for the work in the designated cell and upload the same again in the designated link in the portal as their Financial Bid. Documents uploaded are virus scanned and digitally signed using the Digital Signature Certificate (DSC). Contractors/bidders should especially take note of all

the addenda and corrigenda related to the e-tender and upload all of these documents also as a part of their tender document.

5. Documents uploaded by the contractors/bidders with all information & rates comprising Technical and Financial bids cannot be changed after last/end date for submission of the e-tender.

6. Deed of Consortium/Partnership Firm, and documents of their registration in the form of certified copy of 'Form No. VIII,' issued under the Indian Partnership Act, 1932 (Act-IX of 1932), GST, & PAN (Permanent Account Number) as per RBI guidelines/above Rs. 50,000/- may be compulsorily furnished for all contracts and all other statutory clearances defined in the e-NIT.

7. The tender evaluation and accepting authorities reserve the right to reject any or all of the tenders without assigning any reasons and he/she will not be bound to accept either the lowest tender or any of the tenders.

8. Withdrawal of e-Tender once the bid has been submitted online and after passing of end date for submission which has been accepted for further processing is not allowed. EMD will be forfeited by the Government and the bidder/contractor penalized in terms of provisions in the notice of the tender.

9. Generally Bids will be valid for 120 days from the date of opening of the financial proposal. However, extension of bid validity may be suitably considered by the Tender Inviting Authority, if required, subject to obtaining a written confirmation of the contractor/bidder(s) to that effect.

TENDER FOR WORKS

I/We on behalf of the Governor hereby tender for the execution of the work specified in the underwritten "Memorandum" within the time specified in such "Memorandum" at the rates specified therein, and in accordance, in all respects within the Rules contained in clauses hereinafter, in all of the annexed General Conditions of Contract (GCC), Special Conditions of Contract (SCC) and with such other materials as are provided for, by and in all other respects in accordance and with such conditions so far as applicable.

MEMORANDUM

(a) If several sub-works are included, they should be detailed in a separate list

- (a) General description of work
- (b) Estimated cost put to Tender ... Rs
- (c) Earnest Money Deposit ... Rs.
- (d) Security Deposit (including earnest money) ... Rs
- (e) Percentage, if any, to be deducted from bill ... Rs

 (Rupees.....
 Percentage.....)
- (f) Time allowed for the work from date of written order to Commencecalendar months.

For offline tender during submission of bid and during execution of Agreement for online tender

Name of Work Tendered	Amount Put to Tender	Rate Quoted by the Bidder (% above or less or at par)	Tendered Amount (Contract Price both in words & figures)

Should this Tender be accepted, I/we hereby agree to abide by and fulfill all of the terms and provisions of the said conditions of contract annexed hereto so far as applicable, or in default thereof to forfeit and pay to the Governor or his/her successions in office, the sums of money mentioned in the said conditions.

**Give particulars and numbers*

Strike out (a) or (b) as applicable.

A sum of Rs * has been furnished through online net banking/RTGS/NEFT transfer as earnest money deposit [(a) the full value of which is to be absolutely forfeited to the Governor or his/her successors in office, without prejudice to any other rights or remedies of the said Governor or his successors in office. Should I/we not deposit the full amount of security specified in the above 'Memorandum' in accordance with clause I(A) of the said conditions of contract, the said sum of Rs shall be retained by the Government as on account of such security as aforesaid:(b) the full value of which shall be retained by Government on account of the security deposit specified in clause I (B) of the said conditions of contract].

T Signature of Contractor before submission of tender

Dated the _____ Day of _____ 20____

X T
(Witness)

X Signature of Witness to Contractor's signature

Address
Occupation

XX Signature of the Executive Engineer/AE on behalf of the Department.

The above tender is here by accepted by me for and on behalf of the Governor of the State of west Bengal

XX

Dated the _____ Day of _____ (Month) _____ (Year)

GENERAL CONDITIONS OF CONTRACT

Clause 1 1.1 Earnest Money - The person/persons who intend to participate in the Tender for an Estimated Amount up to Rs. 25 (Twenty Five) Crore shall have to deposit Earnest Money @ 2% (Two percent) of the Estimated Amount put to Tender or Rs 10 Lakh, whichever is lower.

In case of offline tender earnest money is to be submitted in the form of Bank Draft or Bankers Cheque.

In case of Online Tender (e-Tender) earnest money is to be deposited through e-tender portal (<https://wbtenders.gov.in>) by selecting from either of the following payment modes:

- i) Net banking (any of the banks listed in the ICICI Bank Payment gateway) in case of payment through ICICI Bank Payment Gateway.
- ii) RTGS/NEFT in case of offline payment through bank account in any Bank with his/her tender/quotation as per Memorandum No. 3975-F(Y) dated: - 28.07.2016 of Secretary to the Government of West Bengal, Finance Department. The L1 bidder shall make the Formal Agreement after getting the Letter of Acceptance (LOA) issued by the Tender Accepting Authority. Failure to make the Formal Agreement within the time period as prescribed in the Letter of Acceptance (LOA) for the purpose, may be construed as an attempt to disturb the tendering process and will be dealt with accordingly in a legal manner as deemed fit including blacklisting the bidder.

1.2 Security Deposit - While making any payment to the person(s) whose tender has been accepted (hereinafter shall be called the contractor) for work done under the contract, the authority making payment shall deduct such sum which together with the Earnest Money already deposited and converted into security deposit, shall amount to 10% of the value of works executed at the material point of time and paid during the progressive running accounts bills, so that total deduction together with

Earnest Money constitute 10% of the tendered value of work actually done.

In case of excess/and supplementary work over the tendered amount, additional security @ of 10% of such additional amount is to be deposited for all such excess/ and supplementary works beyond the tendered amount before payment of final bill.

Compensation of all other sums of money payable by the contractor to the Government under the terms of the contract may be deducted from the security deposit.

However, even though the earnest money deposited exceeds the prescribed percentage, due to reduction of tendered amount due to any reason whatsoever, such additional earnest money shall be deemed to have been converted into security and further deductions from progressive bills shall be made, taking into consideration the enhanced component of earnest money so converted into security.

Security deduction will not normally be required for hiring of inspection vehicles and boats etc., supply of tools & plants, furniture and computer peripherals. Separate agreement may be required in those cases, particularly for consultancy and RFP for EPC, which shall be made in standard formats to be approved by the Government.

After completion of the work, the Contractor may opt for refund of the Security Deposit by replacing equal amount of Bank Guarantee of scheduled Bank valid up to 3 months beyond the defect liability period.

Additional Performance Security @ 10% of the tendered amount in the form of Bank Guarantee from a Scheduled Bank, valid up to the date of completion of work, shall be obtained from the successful bidder, if the accepted bid value is 80% or less than the estimated amount put to tender.

If the bidder fails to submit Additional Performance Security within 7 (seven) working days from the date of LoA or the time period as approved by the Tender inviting Authority, his Earnest Money will be forfeited.

If the bidder fails to complete the works successfully, the Additional Performance Security along with Security Deposit lying with the Government shall be forfeited at any time during the pendency of contract period as per relevant Clauses of the Contract.

Necessary provisions regarding deductions of Security Deposit from the progressive bills of the Contractor as per relevant clauses of the contract will in no way be affected/ altered by this Additional Performance Security.

Clause 2. The time allowed for carrying out the work as entered in the tender shall be strictly observed by the contractor and shall be reckoned from the date on which the order to commence work is given to the contractor. The work shall throughout the stipulated period of the contract be proceeded with all due diligence. Time being deemed to be the essence of the contract on the part of the contractor, the contractor shall be bound in all cases, to achieve the 'Milestones' as defined under Clause 5 and specified in the NIT into various 'Identifiable and quantifiable construction related stages' pertaining to the work. In the event of the contractor failing to comply with any of the conditions related to achieving the 'Milestones' within the specified time period prescribed for such 'Milestone' plus one month, he/she shall be liable to pay compensation.

If the contractor fails to commence and/or maintain required progress viz. Milestones defined in the Notice Inviting Tender over the total time allotted for its full completion and in terms of clause 5 or fails to complete the work and clear the site on or before the end of contract period or extended date of completion, he/she shall, without prejudice to any other right or remedy available under the law on account of such breach, pay as agreed compensation to the implementing Department.

This will also apply to items or group of items for which a separate period of completion has been specified.

Compensation for delay of work: @ 2% (Two percent) of the tendered value of work arrived for each month of delay to be computed on per day basis subject to the ceiling limit of security deposit already withheld or due to be withheld during imposition of the said clause and minimum payable compensation equivalent to the Earnest Money deposited (EMD).

*Compensation
for delay*

Provided always, that the total amount of compensation for delay, to be paid under this clause shall not exceed 10% of the tendered value of work or the tendered value of the item or group of items of the work, for which a separate period of completion is originally given.

Action when whole of security deposit is forfeited

The amount of compensation may be adjusted or set-off against any sum payable to the contractor under this contract, if the contractor catches up with the progress of work subsequently, part or full of the desired progress as per the contract in accordance with the decision of the Tender Accepting Authority, under powers delegated by Government to be communicated by the Engineer-in-Charge, the withheld amount shall be released. However, no interest, whatsoever, shall be payable on such withheld amount.

Force majeure :-If the work(s) be delayed for the following reasons:-

Due to war, internal emergency and other conditions such as abnormally bad weather, flood, cyclone natural calamity or serious loss or damage by fire or civil commotion, the contractor shall immediately give notice thereof in writing to the Engineer-in-charge but shall nevertheless use constantly his/her best endeavors to prevent or make good the delay and shall do all that may be reasonably required to the satisfaction of the Engineer-in-charge to proceed with the works.

Contractor remains liable to pay compensation, if action is not taken under Clause 3

Clause 3. Subject to other provisions contained in this clause, the Engineer-in-charge with the prior approval of Tender Accepting Authority, may, without prejudice to his/her any other rights, remedy against the Contractor in respect of any delay, inferior workmanship, any claims for damages and/or any other provision of the contract or otherwise, and whether the date of completion has or has not been elapsed, by notice in writing, absolutely determine the contract in any of the following cases:

- (i) If the Contractor has been given by the Engineer-in-Charge a notice in writing to rectify, reconstruct or replace any defective work or that work is being performed in an inefficient or otherwise improper or un-workman like manner, shall omit to comply with the requirements of such notice for a period of seven days thereafter;
- (ii) If the Contractor has without reasonable cause suspended the progress of work, or has failed to proceed with the work with due diligence so that, in the opinion of the Engineer-in-Charge he/she will be unable to secure completion of the work by the schedule date for completion, and continues to do so after a notice of seven days in writing from the Engineer-in-charge;
- (iii) If the Contractor fails to complete the work within the stipulated date or the Milestones/items of work within individual dates of completion, if any, stipulated on or before such date(s) of completion and does not complete them or reach the defined Milestones within the period specified in the notice given in writing to that effect by the Engineer-in-charge;
- (iv) If the Contractor persistently neglects to carry out his/her obligations under the contract and/or commits default by not complying with any of the terms & conditions of the contract and does not remedy it, or take effective steps to remedy it, within seven days after a notice in writing is given to him/her to that effect by the Engineer-in-Charge;
- (v) If the Contractor being an individual, or a firm, or any partner thereof, shall at any time be adjudged insolvent or have a 'Receiving Order' or Order for administration of his/her Estate made against him/her, or take any proceedings for liquidation or composition (other than a voluntary liquidation for the purpose of amalgamation or reconstruction) under any Insolvency Act for the time being in force, or make any conveyance or assignment of his/her effects or composition or arrangement for the benefit of his/her creditor or purport to do so, or if any application be made under Insolvency Act for the time being in force for the sequestration of his/her Estate, or if a trust deed is executed by him/her for benefit of his/her creditors;
- (vi) If the Contractor being a Company pass a resolution or the court delivers an order of judgement that the Company shall be wound up, or if a receiver or a manager on behalf of a creditor be appointed, or if a circumstance arise which entitle the Court or the creditor to appoint a receiver or a manager or which entitle the court to issue a winding up order;
- (vii) If the Contractor shall suffer an execution order being levied on his/her goods and allows it to be continued for a period of 21 days;
- (viii) If the Contractor assigns without prior written approval of the Tender Accepting

Authority, transfers, sublets (engagement of labour on piece work basis or of labour with materials not to be incorporated in the work, shall not be deemed to be subletting) or otherwise parts with or attempts to assign, transfer, sublet or otherwise parts with the entire work or any portion thereof without prior written approval of the Engineer-in-charge;

- (ix) AND THEREFORE, the Contractor has made himself/herself liable for action under any of the cases aforesaid, the Engineer-in-charge on behalf of the Government with the prior approval of Tender Accepting Authority, shall have the powers to adopt any of the following actions, as he/she may deem best suited to the interest of the Government:-
- (a) To determine the contract as aforesaid, of which rescission notice in writing and costs to be recovered for works since executed subject to a minimum of the amount of Earnest Money deposited by the Contractor under the hand of Engineer-in-charge, shall be the conclusive evidence. Upon such determination, the Earnest Money Deposit, Security Deposit already recovered for executed works and performance guarantee, if any under the contract shall be liable to be forfeited and shall be absolutely at the disposal of the Government.
 - (b) After giving notice to the Contractor to measure up the work executed and to take such whole or the balance or part thereof, as shall be un-executed out of his/her hands, and to give it to another Contractor to complete the balance work. The Contractor, whose contract is determined or rescinded as above, shall not be allowed to participate in the tendering process for the balance work.
 - (c) To employ labour paid by the implementing Department, and to supply materials, to carry out the works or any part of the work, debarring the contractor and debiting the cost of labour and price of materials (of the amount of which cost and price determined by certificate of the Engineer-in-Charge shall be final and conclusive against the contractor) and crediting him/her with the value of the work done, in all respects in the same manner and at the same rates as if it had been carried out by the contractor under the terms of his/her contract; the certificate of the Executive Engineer as to the value of the work done shall be final and conclusive against the contractor.

*Contractors
remains liable to
pay compensation
if action not taken
under Clause 3*

In the event of above course being adopted by the Engineer-in-charge, the Contractor shall have no claim of compensation for any loss sustained by him/her by reason of his/her having purchased or procured any material or entered into any engagement or made any advances on any account or with a view to execute the work or the performance of the contract. In case, action is taken under any of the provisions aforesaid, the contractor shall not be entitled to recover or be paid any sum for any work thereof actually performed under this contract, unless and until the Engineer-in-charge has certified in writing that the performance of such work and value payable in respect thereof, and he/she shall only be entitled to be paid the value so certified.

Clause 3A. In case, the work cannot be started due to reasons not within the control of the Contractor within 1/4th (one fourth) of the stipulated time for completion of the work or 45 days whichever is less, which is accepted as a valid & justified reason by the Tender Accepting Authority, either party viz. Contractor & the Engineer-in-Charge may close the contract with the approval of Tender Accepting Authority. In such an eventuality, the earnest money deposited and the security of the contractor shall be refunded, but no payment on account of interests, loss of profit or damages etc. shall be payable at all.

Clause 3B. In case a continuing work cannot be completed due to reasons beyond the control of the contractor, like Force Majeure enumerated later under Clause 5, the contract may be terminated as stated in clause 3A above by the Engineer-in-Charge with the consent of the contractor and approval of the Tender Accepting Authority.

Clause 4. In cases in which any of the powers conferred upon the Engineer-in-Charge under Clause 3 hereof shall have become exercisable and the same had not

*Power to take
possession of or
require removal
of or sell
Contractor's
plant*

been previously exercised, non-exercising thereof shall not constitute as a waiver of any of the conditions hereto, and such powers shall, notwithstanding be exercisable in the event of any future case of default by the contractor, for which by any clause or clauses hereof, he/she is declared liable to pay compensation amounting to whole of his/her security deposit, and the liability of the contractor for past and future compensation shall remain unaffected. In the event of the Engineer-in-Charge putting in force either of the powers under ix (a) or (c) vested with him/her under the preceding clause, he/she may if he/she so desires, take possession of all or any tools & plant, materials and stores, in or upon the work, or the site thereof, or belonging to the contractor, or procured by him/her and intended to be used for execution of the work, or any part thereof, paying or allowing for the same in account at the contract rates or in case of these not being applicable, at current market rates to be certified by the Engineer-in-Charge whose certificate thereof, shall be final and binding. Otherwise, the Engineer-in-Charge may deliver notice in writing to the contractor or his/her clerk, foreman or other authorized agent, requiring him/her to remove such tools & plant, materials or stores from the premises within a time to be specified in such notice; and in the event of the contractor failing to comply with any such requisition, the Engineer-in-Charge may remove them at the contractor's expense or sale them by public auction or private sale on account of the contractor and at his/her risk, in all respects, and the certificate of the Engineer-in-Charge as to the expense of any such removal, and the amount of the proceeds and expense of any such sale shall be final and conclusive against the contractor.

Clause 5. The time allowed for execution of a work as specified in the 'Schedule of Work' or in the extended time in accordance with the terms and conditions shall be the essence of the contract. Execution of work shall commence from such time period as mentioned in the said schedule, or from the date of handing over of the site to the contractor whichever is later. If the contractor commits default in commencing execution of the work as aforesaid within thirty days, without justifiable reasons included under Force Majeure or other such reasons beyond the control of the contractor, in which case to be reported within seven days by the contractor, considered valid and cogent by the Engineer-in-Charge, the Engineer-in-Charge shall after passing of thirty days from the date of scheduled commencement of work as per work order, with the prior approval of the Tender Accepting Authority, without prejudice to any other right to remedy available in law, be at liberty to apply clause 2 and subsequently clause 3 of the tender document.

5.1 As soon as possible after the contract is executed, signed and agreed, the contractor shall submit a 'Time and Progress Chart' for each broad activity (Milestone) and get it approved by the Engineer-in-Charge. The chart shall be prepared in direct relation to the time slated in the Notice Inviting Tender (NIT) document, for completion of items or group of items of the work. It shall indicate the forecast of the dates of commencement and completion of various trades of sections of the work. This may be amended, as necessary, by an agreement between the Engineer-in-Charge and the contractor within the limitations of time imposed in the NIT document. Further, to ensure good progress during execution of work, the contractor shall in all cases, in which the time allowed for any work exceeds one month (save and except for special jobs for which a separate programme has been agreed upon) to complete the work as per defined 'Milestones' given in such 'Schedule of Work' defined clearly in the NIT itself into various 'Identifiable and quantifiable construction related stages' related with the type and nature of work, and that the 'total time allowed for completion of work' is to be broken up against achievement of those stages during the construction / progress of work to ensure a periodic monitoring of progress and enable the contractor and the Engineer-in-Charge to take corrective measures from time to time.

5.2 If the work(s) be delayed by:

Force majeure, due to war, internal emergency and other conditions such as abnormally bad weather, flood, cyclone natural calamity or serious loss or damage by fire or civil commotion, strike or lockout affecting procurement of construction materials or any of the trades employed in the work, or any other cause which in the absolute discretion of the Engineer-in-Charge is beyond the contractor's control, then upon happening of any such event causing delay, the

contractor shall immediately give notice in writing to the Engineer-in-Charge but shall nevertheless use constantly his/her best endeavors to prevent or make good the delay and shall do all that may be reasonably required to the satisfaction of the Engineer-in-Charge to proceed with the works.

5.3 Request for rescheduling of 'Milestones' of various activities and extension of time, to be eligible for consideration, shall be made by the contractor in writing within fourteen days of the happening of the event causing delay in the prescribed form. The contractor may also, if practicable, indicate in such a request the period for which extension is desired.

5.4 If any such case the Engineer-in-Charge, with the approval of Tender Accepting Authority, may give a fair and reasonable extension of time and reschedule the activity wise 'Milestones' for completion of the work. Such extension shall be communicated to the contractor by the Engineer-in-Charge with the approval of Tender Accepting Authority in writing within maximum 1 (one) month of the date of receipt of such request.

Final Certificate

Clause 6. On completion of work, the contractor shall be furnished with a certificate by the Engineer-in-Charge of such completion, but no such certificate shall be given, nor shall the work be considered to be completed until and unless the contractor shall have removed from the work premises on which the work is executed, all scaffolding, surplus materials and rubbish, and cleaned off the dirt from wood works, doors, windows, floors, or other parts of any building, upon or about which the work is executed, or of which he may have had possession for the purpose of the execution thereof, nor until the work shall have been measured by the Engineer-in-charge whose measurements shall be binding and conclusive against the contractor. If the contractor shall fail to comply with the requirements of this clause as to removal of scaffolding, surplus materials and rubbish and cleaning off dirt on or before the date fixed for completion of the work, the Engineer-in-charge may at the expense of the contractor remove such scaffolding, surplus materials and rubbish, and dispose of the same as he/she thinks fit, and clean off such dirt as aforesaid; and the contractor shall forthwith be bound to pay the amount of all expense so incurred, and shall have no claim in respect of any such scaffolding or surplus materials as aforesaid, except for any sum actually realized by the sale thereof.

Payment on inter- mediate certificates to be regarded as advances

Clause 7. No running account bill payment shall be normally made for works less than 30 (Thirty) percent of Tendered Value or up to Rs 25.00 lakh, whichever is less, till after the whole of the work shall have been completed and certificate of completion given. For works of tendered value above Rs 25.00 lakh, for running account bill payment, the contractor shall on submitting a bill of at least Rs 25.00 lakh there for, be entitled to receive a payment proportionate to the part thereof, approved and passed by the Engineer-in-charge, whose certificate of such approval and passing of the sum so payable shall be final and conclusive against the contractor. But all such intermediate payments shall be regarded as payments by way of advance against the final measured bill payment only and not as payments for work actually done and completed, and shall not preclude the bad, unsound, and imperfect or unskillful work which is to be removed and taken away and reconstructed, or re-erected or to be considered as an admission of the due performance of the contract, or any part thereof, in any respect, or the accruing of any claim, nor shall it conclude, determine or affect in any way the powers of the Engineer-in-charge under these conditions or any of them as to the final settlement and adjustment of the accounts or otherwise or in any other way vary or affect the contract. The final bill shall be submitted by the contractor within one month of the date fixed for completion of the work, otherwise the Engineer-in-charge's certificate of the measurement and of the total amount payable for the work accordingly shall be final and binding on all parties.

Bills to be submitted monthly

Clause 8. Works bill shall be submitted by the contractor each month, after fulfilling above clause, on or before the date fixed by the Engineer-in-charge, for all works executed during the previous month, and the Engineer-in-charge shall take or cause to take the requisite measurement for the purpose of having the same verified, and the claim as far as admissible adjusted, if possible, before the expiry of fourteen days from the presentation of the bill. If the contractor does not submit the bill within the time fixed as aforesaid, the Engineer-in-charge may depute a Junior Engineer to measure up the said

work in presence of the contractor, whose countersignature in the measurement book will be sufficient warrant; and the Engineer-in-charge may prepare a bill from such list which shall be binding on the contractor in all respects.

Within 10 (Ten) days of completion of work, the contractor shall give notice of such completion to the Engineer-in-charge and within 14 (Fourteen) days of receipt of such notice, the Engineer-in-charge shall inspect the work, and if there is no defect in the work, he/she shall furnish to the contractor a final certificate of completion. Otherwise, a provisional certificate of physical completion indicating defects (a) to be rectified by the Contractor and/or (b) for which payment will be made at reduced rates, shall be issued. Such reduced rate is to be imposed with the approval of Superintending Engineer concerned.

Clause 8A. When annual repair and maintenance work is carried out, the splashes and droppings from white washing, colour washing, painting etc., on walls, floors, windows shall be removed and the surface cleaned simultaneously with the completion of these items of work in the individual rooms, quarters or premises etc. where the work is done without waiting for the actual completion of all the other items of work in the contract. In case, the contractor fails to comply with the requirements of this clause, the Engineer-in-Charge shall have the right to get this work done at the cost of the contractor either Departmentally or through any other contractor. Before taking such action, the Engineer-in-Charge shall give ten days notice in writing to the contractor.

Clause 8B. The Contractor shall submit completion Plan/Drawing as required in the 'General Specification' for Civil as well as Electrical Works as applicable within 30 days of completion of the work.

Clause 9. The Contractor shall submit all bills in printed forms, as per format prescribed by Government of West Bengal, in the office of the Engineer-in-Charge, and the charges in the bills shall always be entered at the rates specified in tender or in case of any extra work ordered in pursuance of these conditions, and not mentioned or provided for in the tender at rates thereafter provided for such work.

Clause 9A (1) Payments due to the contractor may, if so desired by him/her be made to his bank through e-Pradan, details of which has to be directly furnished to the Engineer-in-charge.

While the online receipt given by such Banks shall constitute a full and sufficient discharge/acquittance for the payment, the contractor should wherever possible present his/her bills duly receipted and discharged through his/her Banker/s.

(2) In the case of bills, which the contractor presents for payment direct, and which are not endorsed in favour of the Bank, while efforts will be made to secure payment to the financing Bank, payments made to the contractor should be accepted as full acquittance so far as the Government is concerned. As a part of the arrangement, the financing Bank should give the Government a letter to this effect.

Note 1. The procedure will not affect the usual rights of the Government to deduct from contractor's bill, (whether endorsed in favour of a Bank or not) any sum due to Government of account of penalties, over-payments etc., on this or any other contract with the Governor of the State of West Bengal.

Note 2. Nothing contained herein shall operate to create in favour of the Bank any rights, claims or equities vis-à-vis the Governor.

Clause 10. If the specification or estimate of the work provides for use of any special description of material to be supplied by the Engineer-in-Charge, (such materials & stores and the prices to be charged there for as hereinafter mentioned being so far as practicable for the convenience of the contractor, but not so as in any way to control the meaning or effect of this contract specified in the schedule or 'Memorandum' hereto annexed), the contractor shall be supplied with such materials and stores as is required from time to time to be used by him/her for the purpose of the contract only, and the value of the full quantity of materials and stores so supplied at the rates specified in the said schedule or Memorandum may be set off or deducted from any sums then due, or thereafter to become due to the contractor under the contract, or otherwise or against or from the security deposit, or the proceeds of sale thereof; if the same is held in Government securities, the same or a sufficient portion thereof being in this case sold for

Payments of contractor's bills to Banks

Stores supplied by Government

the purpose. All materials supplied to the contractor shall remain the absolute property of Government, and shall not on any account be removed from the site of the work, and shall at all times be open for inspection by the Engineer-in-charge. Any such material unused and in perfectly good condition at the time of the completion or determination of the contract shall be returned to the Engineer-in-charge's store, if by a notice in writing under his/her hand, he/she shall so require; but the contractor shall not be entitled to return any such material unless with such consent, and shall have no claim for compensation on account of any such material so supplied to him/her as aforesaid being unused by him, or for any wastage or damage to any such material.

Work to be executed in accordance with specifications, drawings, orders, etc.

Clause 11. The Contractor shall execute the whole and every part of work in the most substantial and workman like manner, and both, as regards to materials and otherwise, in every respect, in strict accordance with the specifications. The contractor shall also conform exactly, fully and faithfully to the design and drawings, and instructions in writing relating to the work signed by the Engineer-in-Charge and lodged in his/her office, to which the contractor shall be entitled to have access at such office, or on the site of the work for the purpose of inspection during office hours, and the contractor shall, if he/she so require, be entitled at his/her own expense to make or cause to be made copies of the specifications, and of all such design, drawings and instructions as aforesaid.

Alteration in specification and designs do not invalidate contract

Clause 12. The Engineer-in-Charge shall have powers to make any alteration in, omission from, addition to, or substitution for, the original specifications, drawings, designs and instructions, that may appear to him/her to be necessary or recommended by Superintending Engineer or the Chief Engineer during the progress of work, and the contractor shall be at all times be bound to carry out these works, in accordance to any instructions which may be given to him/her in writing, signed by the Engineer-in-charge, and such alterations, omissions, additions or substitutions, shall not invalidate the contract but shall be deemed to have formed a part of the work included in the original tender and any altered, additional or substituted work which the contractor may be directed to do in the manner specified above as a part of the work shall be carried out by the contractor on the same conditions in all respects on which he/she agreed to do the main work, and at the same rates, if any, may be specified in the tender for the main work. Time for the completion of the work shall be extended in the proportion that the altered, additional or substituted work bears to the original work contract, and the certificate of the Engineer-in-charge shall be conclusive as to such proportion. And, if the altered, additional or substituted work includes any class of work, for which no rate is specified in the contract, then such class of work shall be carried out at the rates entered in the schedule of rates of concerned Works Department applicable in the district, which was in force at the time of acceptance of the contract, minus/plus the percentage which the total tendered amount bears to the estimated cost of the entire work put to tender; and if the altered, additional or substituted work is not entered in the said schedule of rates, payment thereof shall be made by the Engineer-in-charge by determining the rates on analysis worked out from (a) the basic rates of materials and labour provided in the aforesaid schedule of rates, or (b) the current market rates of materials and labour when even basic rates for the work are not available in the schedule. In cases when such rates are determined on analysis by the Engineer-in-charge under (a) above, the stipulated percentage above or below schedule of rates as provided in the contract shall also apply, and in case of rates worked out on analysis under (b) above, payment shall be made at the rates so determined without application of the said stipulated percentage. In the event of any dispute regarding rates determined on analysis for any altered, additional or substituted work under this clause, the decision of the Superintending Engineer shall be final and binding.

Rates for works not in tender BOQ/SoR

No compensation for alternation in or restriction of work to be carried out.

Clause 13. If at any time after the commencement of the work the Governor shall for any reason whatsoever not require the whole thereof as specified in the tender to be carried out, the Engineer-in-charge shall give notice in writing of the fact to the contractor, who shall have no claim to any payment or compensation whatsoever on account of any profit or advantage which he might have derived from execution of the work in full, but which he/she did not derive in consequence of the full amount of the work not having been carried out; neither shall he/she have any claim for compensation by reason of any alterations having been made in the original specifications, drawings, designs and instructions which shall involve any curtailment of the work as originally contemplated.

Action and compensation payable in case of bad work

Clause 14. If it shall appear to the Engineer-in-charge or his/her subordinate engineer in-charge of the work, that any work has been executed with unsound, imperfect, or unskillful workmanship, or with materials of any inferior description, or that any materials or articles provided by the Contractor, for the execution of the work are unsound, or of a quality inferior to that contracted for, or otherwise not in accordance with the contract, the contractor shall on demand in writing from the Engineer-in-charge specifying the work, materials or articles complained of notwithstanding that the same may have been inadvertently passed, certified and paid for, forthwith rectify or remove and re-construct the work so specified in whole or in part, as the case may require, or as the case may be remove the materials or articles so specified and provide other proper and suitable materials or articles at his/her own proper charge and cost; and in the event of his failing to do so within a period to be specified by the Engineer-in-charge in his/her demand aforesaid, then the contractor shall be liable to pay compensation at the rate of one percent on the amount of the estimate put to tender / on up to date executed work value for every day not exceeding ten days, while his/her failure to do so shall continue and in the case of any such failure, the Engineer-in-charge may rectify or remove, and re-execute the work or remove and replace with others, the materials or articles complained of as the case may be at the risk and expense in all respects of the contractor.

Work to be open to inspection

Clause 15. All work under or in course of execution or executed in pursuance of the contract shall at all times be open to inspection and supervision of the Engineer-in-Charge and all his/her subordinates and also higher Officers / Authority of the Government and the contractor shall at all times during the normal working hours, and at all other times at which reasonable notice of the intention of the Engineer-in-charge or his/her subordinates to visit the work site shall have been given to the contractor, either himself/herself be present to receive orders and instructions, or have a responsible agent duly accredited in writing present for that purpose. Orders given to the contractor's agent shall be considered to have the same force as if it had been given to the contractor himself/herself.

Contractor or his/her responsible agent to be present

Notice to be given before work is covered up

Clause 16. The Contractor shall give, not less than five days notice in writing to the Engineer-in-charge or his/her subordinate in-charge of the work, before covering up or otherwise placing beyond the reach of measurement any work, in order that the same is so covered up or placed beyond the reach of measurement, and shall not cover up or place beyond the reach of measurement any work without the consent in writing of the Engineer-in-charge or his/her subordinate, in-charge of the work; and if any work shall be covered up or placed beyond the reach of measurement without such notice having been given or consent obtained, the same shall be uncovered at the contractor's expense, or, in default thereof no payment or allowance shall be made for such work or the materials with which the same was executed.

Contractor liable for damage done and for imperfections for 180 days after certificate

Clause 17. If the Contractor or his/her workers or authorized representatives shall break, deface, injure or destroy any part of the structure in which they may be working or any building, road, road curbs, fence, canals, water pipes, cables, drains, electric or telephone posts or wires, trees, grass or grassland or cultivated ground contiguous to the premises on which the work or any part of it is being executed, or if any damage shall happen to the work from any cause whatever or any imperfections become apparent in it at any time, whether during its execution or within a period of six months after issuance of a certificate of its completion by the Engineer-in-Charge, the contractor shall make the same good at his/her own expense, or in default, the Engineer-in-Charge may cause the same to be made good by other workers, and deduct the expenses (of which the certificate of the Engineer-in-Charge shall be final and binding) from any sums, whether under the contract or otherwise, that may be then, or at any time thereafter become due to the contractor by the Government or from his/her security deposit, or the proceeds of sale thereof, or of a sufficient portion thereof, and if the cost in the opinion of the Engineer-in-Charge whose opinion shall be final and conclusive against the contractor, making such damage or imperfections good shall exceed the amount of such security deposit and/or such sums, it shall be lawful for the Government to recover the excess costs from the contractor in accordance with the procedure prescribed by any law for the time being in force.

Clause 17A. The Contractor shall also supply without charge the requisite number of persons with the means and materials necessary for the purpose of setting out works, and counting, weighing, assisting in the joint measurement or examination at any time and from time to time of the work or materials. Failing his/her so doing the same may be

provided by the Engineer-in-Charge at the expense of the Contractor and the expenses may be deducted from any money due to the contractor under the contract or from his/her Security Deposit or the proceeds of sales thereof or of a sufficient portion thereof. The Contractor shall also provide all necessary fencing / barricading / providing caution boards etc. and light required to protect the public from accident, and shall be bound to bear the expenses of defence of every suit, action or other proceedings at law that may be brought by any person for injury sustained owing to neglect of the above precautions and to pay any damage and costs which may be awarded in such suit, actions or proceedings to any such persons or which may with the consent of the Contractor be paid to compromise any claim by any such persons.

Clause 18A. In every case in which by virtue of the provisions under sub-section (1) of Section 12, of the Workmen's Compensation Act, 1923, the implementing Department is obliged to pay compensation to a workman employed by the contractor, in execution of the works. The implementing Department will recover from the Contractor the amount of compensation so paid; and without prejudice to the rights of the Department under sub-section (2) of section 12, of the said Act, implementing Department shall be at liberty to recover such amount or any part thereof by deducting it from the security deposit or from any sum due by implementing Department to the Contractor whether under this contract or otherwise. The implementing Department shall not be bound to contest any claim made against it under sub-section (1) Section 12, of the said Act, except on the written request of the contractor and upon his/her giving to the implementing Department full security for all costs for which the Department might become liable in consequence of contesting such claims.

Clause 18B. In every case in which by virtue of the provisions under 'The Contract Labour (Regulation & Abolition) Act 1970', and its amendments and rules, the implementing Department is obliged to pay amount of wages to a workman employed by the Contractor in execution of the works, or to incur any expenditure in providing welfare and health amenities required to be provided under the above said Act and the rules framed by Government from time to time for the protection of health and sanitary arrangements for workers employed by Contractors, executing Department will recover from the Contractor, the amount of wages so paid or the amount of expenditure so incurred; and without prejudice to the rights of the executing Department under sub-section(2) of Section 20, and sub-section (4) of Section 21, of the Contract Labour (Regulation and Abolition) Act, 1970, executing Department shall be at liberty to recover such amount or any part thereof by deducting it from the security deposit or from any sum due by Executing Department to the Contractor whether under this contract or otherwise and the executing Department shall not be bound to contest any claim made against it under sub-section (1) of Section 20, sub-section (4) of section 21, of the said Act, except on the written request of the Contactor and upon his/her giving to the implementing Department full security for all costs for which the Department might become liable in contesting such claim.

Clause 19. The Contractor shall obtain a valid license under the Contract Labour (Regulation and Abolition) Act, 1970, before the commencement of the work, and continue to have valid licenses until the completion of the work. The contractor shall also abide by the provisions of the Child Labour (Prohibition and Regulation) Act, 1986, Fatal Accident Act, 1855, Personal Injuries (Compensation Insurance) Act, 1970.

The Contractor shall also comply with the provisions of the 'Building and Other Construction Workers (Regulation of Employment & Conditions of Service) Act, 1996' and 'The Building and Other Construction Workers Welfare Cess Act, 1996'. Failure to fulfill these requirements shall attract penal provisions of the contract, arising out of the resultant non-implementation of such provisions.

Labour

Clause 19A. No labour/s below the age of eighteen years shall be employed in the work and the contractor shall abide by the provisions of the Child Labour (Prohibition & Regulation) Act, 1986. Employment of female labour/s in works in the neighborhoods of sensitive barracks should be avoided as far as possible.

*Payment of
minimum
Wages to
Labour*

Clause 19B. The Contractor shall pay to labours employed by him/her either directly or through Sub-Contractors, wages not less than fair wages as defined by the Labour Commissioner of the State Government under 'Minimum Wages Act, 1948', Contractor's Labour Regulations or as per the provisions of the Contract Labour (Regulation and

Abolition) Act, 1970, wherever applicable.

The contractor shall, notwithstanding the provisions of any contract to the contrary, cause to be paid fair wage to labour indirectly engaged on the work, including any labour engaged by his sub-contractors in connection with the said work, as if the labour had been immediately employed by him/her.

In respect of all labourers directly or indirectly employed in the works for performance of the Contractor's part of the contract, the contractor shall comply with or cause to be complied with the contractor's Labour Regulations made by the State Government/ Government of India, from time to time in regard to payment of wages, wage period, deductions from wages, recovery of wages not paid and deductions made without authority, maintenance of wage books or wage slips, publication of scale of wage and other terms of employment, inspection and submission of periodical returns and all other matters likewise in nature or as per the provisions of the Contract Labour (Regulation and Abolition) Act, 1970, and the Inter-State Migrant Workmen (Regulation of Employment and Conditions of Service) Act, 1979, Minimum Wages Act, 1948, wherever applicable.

- a) The Engineer-in-Charge concerned shall have the right to deduct from the money due to the contractor any sum required or estimated to be required for making good the loss suffered by a worker or workers by reason of non-fulfillment of the conditions of the contract for the benefit of the workers, non-payment of wages or of deductions made from his/her/their wages which are not justified by their terms of the contract or non-observance of the regulations.
- b) Under the provision of Weekly Holidays Act, 1986, the contractor is bound to allow to the labours, directly or indirectly employed in the work, one day rest for 6 days of continuous work, and pay wages at the same rate as for duty. In the event of default, the Engineer-in-charge shall have the right to deduct the sum or sums not paid on account of wages for weekly holidays to any labour and pay the same to the persons entitled thereto from any money due to the contractor by the Engineer-in-charge concerned.

The contractor shall also comply with the provisions of the 'Employees Liability Act, 2008', Workmen's Compensation Act and 'Maternity Benefits Act' or the amendments thereof or any other law relating thereto, and the rules made there under from time to time.

The Contractor shall indemnify and keep indemnified the implementing Department against payments to be made under and for the observance of the laws aforesaid and PW Contractor's Labour Regulations without prejudice to this right to claim indemnity from his/her sub-contractors.

The laws aforesaid shall be deemed to be a part of this contract and any breach thereof shall be deemed to be a breach of this contract.

Whatever is the minimum wage for the time being, or if the wage payable is higher than minimum wage, such wage shall be paid by the contractor to the workers directly without the intervention of any Dafadar, and that Dafadar shall not be entitled to deduct or recover any amount from the minimum wage payable to the workers as and by way of commission or otherwise.

The contractor shall ensure that no amount by way of commission or otherwise is deducted or recovered by the Dafadar from the wage of workers.

Clause 19C. In respect of all labours directly or indirectly employed in the work for the performance of the contractor's part of this contract, the contractor shall at his/her own expenses, arrange for the safety provisions as framed from time to time by the competent authority, and shall at his/her own expense provide all facilities in connection therewith. In case the contractor fails to make arrangement, and fail to provide necessary facilities as aforesaid, he/she shall be liable to pay a penalty of Rs. 2000/- for each default, and in addition the Engineer-in-Charge shall be at liberty to make arrangement and provide facilities as aforesaid and recover the costs incurred in their behalf, from the contractor.

Clause 19D. For the works above Rs. 2.0 crore, the Contractor shall submit by the 4th and 19th of every month to the Engineer-in-charge, a true statement showing in respect of the second half of the preceding month and the first half of the current month respectively-

The number of labourers employed by him/her on the work, their working hours, and the

wages paid to them;

Accidents that had occurred during the said fortnight showing the circumstances under which it had happened, and the extent of damage and injury caused by them, and the number of female workers who have been allowed maternity benefits according to Clause 19F of the contract and the amount paid to them;

Failing which the contractor shall be liable to pay to the Department, a sum not exceeding Rs. 2000/- for each default or materially incorrect statement. The decision of the Engineer-in-charge shall be final in deducting from any bill due to the contractor; the amount levied as fine and would be binding on the contractor.

Clause 19E. In respect of all labours directly or indirectly employed in the work for the performance of the contractor's part of this contract, the contractor shall comply with or cause to be complied with all the rules framed by the Government from time to time for the protection of health and sanitary arrangements of workers employed by the contractor.

Clause 19F. In the event of the contractor(s) committing a default or breach of any of the provisions of the Contractor's Labour Regulations and Rules for the protection of health and sanitary arrangement for the workers as amended from time to time or furnishing any information or submitting or filing any statement under the provisions of the above Regulations and Rules which is materially incorrect, he/she shall, without prejudice to any other liability, pay to the Department a sum not exceeding Rs. 2000/- for every default, breach or furnishing, making, submitting, filing such materially incorrect statements and in the event of the contractors defaulting continuously in this respect, the penalty may be enhanced to Rs. 200/- per day for each day of default subject to a maximum of five per cent of the tendered value. The decision of the Engineer-in-charge shall be final and binding on the parties.

Should it appear to the Engineer-in-charge that the contractor(s) is/are not properly observing and complying to the provisions of the Contractor's Labour Regulations and Rules, The Minimum Wages Act, 1948 and Contract Labour (Regulation and Abolition) Act 1970, for the protection of health and sanitary arrangements for work-people employed by the contractor(s) (hereinafter referred as 'the said Rules') the Engineer-in-charge shall have the power to give notice in writing to the contractor(s) requiring that the said Rules be complied with and the amenities prescribed therein be provided to the work-people within a reasonable time to be specified in the notice. If the contractor(s) shall fail within the period specified in the notice to comply with and/or observe the said Rules and to provide the amenities to the work-people as aforesaid, the Engineer-in-charge shall have the power to provide the amenities herein before mentioned at the cost of the contractor(s). The contractor(s) shall erect, make and maintain at his/her own expense and to approved standards all necessary hutments and sanitary arrangements required for his/her/their work-people on the site in connection with the execution of the works, and if the same shall not have been erected or constructed, according to approved standards, the Engineer-in-charge shall have power to give notice in writing to the contractor(s) requiring that the said hutments and sanitary arrangements be remodeled and/or reconstruct such hutments and sanitary arrangements according to approved standards, and if the contractor(s) shall fail to remodel or reconstruct such hutments and sanitary arrangements according to approved standards within the period specified in the notice, the Engineer-in-charge shall have the power to remodel or reconstruct such hutments and sanitary arrangements according to approved standards at the cost of the contractor(s).

Clause 19G. The contractor shall comply with all the provisions of The Minimum Wages Act, 1948, Contract Labour (Regulation and Abolition) Act, 1970, Employees Liability Act, Industrial Dispute Act and Maternity Benefit Act, 1961, as amended from time to time and rules framed thereunder and other labour laws affecting contract labour that may be brought into force by the appropriate authority from time to time.

Clause 19H. The Engineer-in-charge may require the contractor to remove from the site of work, any person or persons engaged/assigned or employed by the contractors upon the work who may be determined as insane or incompetent or misconducts himself/herself, and the contractor shall forthwith comply with such requirements.

Clause 19I. It shall be the responsibility of the contractor to see that the

building/structure under construction is not occupied by anybody unauthorized during construction, and is handed over to the Engineer-in-charge with vacant possession free from encumbrances in entirety, If such buildings/structures through completed is occupied illegally, then the Engineer-in-Charge shall have the option to refuse to accept the said building/structure in that position. Any delay in acceptance on this account will be treated as the delay in completion and for such delay a levy up to 5% of tendered value of work may be imposed by the Engineer-in-charge whose decision shall be final both with regard to the justification and quantum and shall be binding on the contractor.

However, the Engineer-in-charge, through a notice, may require the contractor to remove the illegal occupations, any time on or before construction and delivery.

Work on Sundays

Clause 20. No work shall be done on Sundays without the prior sanction of the Engineer-in-charge.

Work not to be sublet. Contract may be rescinded and security deposit forfeited for subletting, bribing, or if contractor becomes insolvent

Clause 21. The contract shall not be assigned or sublet without specific orders from Government in respect of a specified sub-contractor. And if the contractor shall assign or sublet his contract, or attempt so to do, or become insolvent or commence any insolvency proceedings or make any composition with his creditor, or attempt to do so, or if any bribe, gratuity, gift, loan, perquisite, reward or advantage, pecuniary or otherwise, shall either directly or indirectly be given, promised, or offered by the contractor, or any of his servants or agents to any public officer or person in the employ of Government in any way relating to his office of employment, or if any such officer or person shall become in any way directly or indirectly interested in the contract, the Divisional Officer may thereupon by notice in writing rescind the contract, and the security deposit of the contractor shall thereupon stand forfeited and be absolutely at the disposal of Government and the same consequences shall ensue as if the contract had been rescinded under the Clause 3 hereof, and in addition the contractor shall not be entitled to recover or be paid for any work there for actually performed under the contract.

Sum payable as compensation to be considered as reasonable without reference to actual loss

Clause 22. All sums payable by way of compensation under any of these conditions shall be considered as reasonable compensation to be applied to the use of Government without reference to the actual loss or damage sustained and whether or not any damage shall have been sustained.

Changes in constitution of firm

Clause 23. Where the contractor is a partnership firm or a consortium, prior approval in writing of the Engineer-in-Charge shall be obtained for any change made in the constitution of the firm/consortium. Where the contractor is an individual or a Hindu Undivided Family (HUF) business concern, such approval as aforesaid shall likewise be obtained, before the contractor enters into any partnership agreement/Memorandum of Articles whereunder the partnership firm/ consortium would have the right to carry out the works hereby undertaken by the contractor. If previous approval as aforesaid is not obtained, the contract is liable to be rescinded.

Works to be under direction of Engineer-in-Charge

Clause 24. All works to be executed under the contract shall be executed under the direction of Engineer-in-Charge. Further instructions/advices, if felt necessary by Superintending Engineer/ Chief Engineer, shall also be binding to be communicated by the Engineer-in-Charge.

Settlement of disputes - Dispute Redressal Committee'

Clause 25. Settlement of Disputes and Arbitration:

Except where otherwise provided in the contract, all questions and disputes relating to the meaning of the specifications, designs, drawings and instructions hereinbefore mentioned and as to the quality of workmanship or materials used on the work or as to any other question, claim, right, matter or thing whatsoever, in any way arising out of or relating to the contracts, designs, drawings, specifications, estimates, instructions, orders or these conditions or otherwise concerning the works, or the executions or failure to execute the same, whether arising during the progress of the work, or after the completion or abandonment thereof shall be dealt with as mentioned hereinafter:

If the contractor considers any work demanded of him/her to be outside the requirements of the contract, or disputes any drawings, record or decision given in writing by the Engineer-in-Charge or any matter in connection with or arising out of the contract or carrying out of the work to be unacceptable, he/she shall promptly within 15 days request the Chairman of the Departmental Dispute Redressal Committee, in writing, for

written instruction or decision. Thereupon, the Dispute Redressal Committee shall give its written instruction or decision within a period of three months from the date of receipt of the Contractor's letter.

The Dispute Redressal Committee in each of the Works Departments shall be constituted with the following officials as Members:

1	Secretary / Engineer-in-Chief of the Department concerned	Chairman
2	Joint Secretary / Deputy Secretary / any Officer of equivalent rank of the Department	Member
3	One Designated Chief Engineer / Engineer of the Department to be nominated by the Department concerned.	Member Secretary and Convenor
4	One representative of Finance Department of the Government not below the rank of Joint Secretary or Financial Advisor in case of the Works Department where FA system has been introduced.	Member

This provisions will be applicable irrespective of the value of the works to which the dispute may relate.

Clause 26. The contractor shall fully indemnify and keep indemnified the implementing Department against any action, claim or proceeding relating to infringement or use of any patent or design or any alleged patent or design rights and shall pay any royalties which may be payable in respect of any article or part thereof included in the contract. In the event of any claims made under or action brought against implementing Department in respect of any such matter as aforesaid, the contractor shall be immediately notified thereof by the implementing Department and the contractor shall be at liberty, at his/ her own expense, to settle any dispute or to conduct any litigation that may arise therefrom, provided that the contractor shall not be liable to indemnify the implementing Department if the infringement of the patent or design or any alleged patent or design right is the direct result of an order passed by the Engineer-in-Charge this behalf.

Lump sum as in estimates

Clause 27. When the estimate on which the tender is made includes lump sums in respect of parts of the work, the contractor shall be entitled to payment in respect of the items of works involved or the part of the work in question at the same rates as are payable under this contract for such items, or if the part of the work in question is not, in the opinion of the Engineer-in-charge, capable of measurement, certificate in writing of the Engineer-in-charge shall be final and conclusive against the contractor with regard to any sum or sums payable to him under the provisions of this clause.

Action where no specification

Clause 28. In the case of any class of work for which there is no such specifications as referred to under Clause 11, such work shall be carried out in accordance with the latest Bureau of Indian Standards (BIS) specifications. In case there are no such specifications in Bureau of Indian Standards, the work shall be carried out as per reputed manufacturer's specifications if accepted by the Engineer-in-Charge. If not available, then as per State Government / Union Government accepted and approved specifications. In case there are no such specifications as required above, the work shall be carried out in all respects in accordance with the instructions and requirements of the Engineer-in-Charge which is approved by the Tender Accepting Authority.

Definition of works

Clause 29. The expression "works" or "work" where used in these conditions shall, unless there be something either in the subject or context repugnant to such construction, be constructed and taken to mean the works by or by virtue of the contract constructed to be executed, whether temporary or permanent and whether original, altered, substituted or additional.

Clause 30. The Contractor(s) shall at his/their own cost provide his/their labour with hutting on an approved site, and shall make arrangements for conservancy and sanitation in the labour camp to the satisfaction of the local Public Health and Medical Authorities. He/they shall also at his/their own cost make arrangements for the laying

of pipe lines for water supply to his/their labour camp from the existing mains wherever available, and shall pay all fees, charges and expenses in connection with there and incidental thereto.

Clause 31. The contractor(s) shall make his/their own arrangements for water required for the work and nothing extra will be paid for the same. This will be subject to the following conditions:-

- i) That the water used by the contractor(s) shall be fit for construction purposes to the satisfaction of the Engineer-in-charge;
- ii) The Engineer-in-Charge shall make alternative arrangements for supply of water at the risk and cost of contractor(s) if the arrangements made by the contractor(s) for procurement of water are, in the opinion of the Engineer-in-Charge, unsatisfactory.

Clause 32. The contractor undertakes to make arrangement for the supervision of the work by the firm supplying the construction materials. The Contractor shall collect the total quantity of materials as per approved programme required for the work as per approved programme, before the work is started and shall hypothecate it to the Engineer-in-Charge. If any material remains unused on completion of the work on account of lesser use of materials in actual execution for reasons other than authorized changes of specifications and abandonment of portion of work, a corresponding deduction equivalent to the cost of unused materials as determined by the Engineer-in-Charge shall be made and the material returned to the contractor. Although the materials are hypothecated to Institute, the contractor undertakes the responsibility for their proper watch, safe custody and protection against all risks. The materials shall not be removed from site of work without the consent of the Engineer-in-Charge in writing.

The contractor shall be responsible for rectifying defects noticed within Defect Liability Period from the date of completion of the work and the portion of the security deposit relating to work shall be refunded after the expiry of Defect Liability Period.

Clause 33. The contractor shall provide all necessary superintendence during execution of the work and as long thereafter as may be necessary for proper fulfilling of the obligations under the contract.

*Contractors
Superintendence,
Supervision,
Technical Staff &
Employees*

The contractor shall immediately after receiving letter of acceptance of the tender and before commencement of the work, intimate in writing to the Engineer-in-Charge, the name(s), qualifications, experience, age, address(es) and other particulars along with certificates, of the principal technical representative to be in charge of the work and other technical representative(s) who will be supervising the work. The Engineer-in-Charge shall within 3 days of receipt of such communication intimate in writing his/her approval or otherwise of such representative(s) to the contractor. Any such approval may at any time be withdrawn and in case of such withdrawal, the contractor shall appoint another such representative according to the provisions of this clause. Decision of the tender accepting authority shall be final and binding on the contractor in this respect. Such a principal technical representative shall be appointed by the contractor soon after receipt of the approval from the Engineer-in-Charge and shall be available at site before start of work.

If the contractor (or any partner in case of firm/company) himself/herself has such qualifications, it will not be necessary for the said contractor to appoint such a principal technical representative but the contractor shall designate and appoint a responsible agent to represent him and to be present at the work whenever the contractor is not in a position to be so present. All the provisions applicable to the principal technical representative under the clause will also be applicable in such a case to the contractor or his responsible agent. The principal technical representative and/or the contractor shall on receiving reasonable notice from the Engineer-in-Charge or his designated representative(s) in charge of the work in writing or in person or otherwise, present himself/herself to the Engineer-in-Charge and/or at the site of work, as required, to take instructions. Instructions given to the principal technical representative or the responsible agent shall be deemed to have the same force as if these have been given to the contractor. The principal technical representative and/or the contractor or his/her responsible authorized agent shall be actually available at site especially during important stages of execution of work, during recording of measurement of works and whenever so required by the Engineer-in-Charge by a notice as aforesaid and shall also note down instructions conveyed by the Engineer-in-Charge or his/her designated representative in the site order

book and shall affix his signature in token of noting down the instructions and in token of acceptance of measurements.

If the Engineer-in-Charge, whose decision in this respect is final and binding on the contractor, is convinced that no such technical representative(s) is/are effectively appointed or is/are effectively attending or fulfilling the provision of this clause, a recovery (non-refundable) shall be effected from the contractor as specified in Schedule and the decision of the Engineer-in-Charge as recorded in the site order book and measurement recorded checked / test checked in Measurement Books shall be final and binding on the contractor. Further if the contractor fails to appoint a suitable technical representative and/or other technical representative(s) and if such appointed persons are not effectively present or are absent by more than two days without duly approved substitute or do not discharge their responsibilities satisfactorily, the Engineer-in-Charge shall have full powers to suspend the execution of the work until such date as suitable other technical representative(s) is/are appointed and the contractor shall be held responsible for the delay so caused to the work. The contractor shall submit a certificate of employment of the technical representative(s) along with every running account bill / final bill and shall produce evidence if at any time so required by the Engineer-in-Charge.

The contractor shall provide and employ on the site only such technical assistants as are skilled and experienced in their respective fields and such foremen and supervisory staff as are competent to give proper supervision to the work.

The contractor shall provide and employ skilled, semi-skilled and unskilled labour as is necessary for proper and timely execution of the work.

The Engineer-in-Charge shall be at liberty to object to and require the contractor to remove from the works any person who, in his opinion, misconducts himself, or is incompetent or negligent in the performance of his duties or whose employment is otherwise considered by the Engineer-in-Charge to be undesirable. Such person shall not be employed again at works site without the written permission of the Engineer-in-Charge and the persons so removed shall be replaced as soon as possible by competent substitutes.

Clause 34. "Levy / Taxes Payable by Contractor"

- (i) GST, Building and other Construction Workers' Welfare Cess or any other tax or Cess in respect of this contract shall be payable by the Contractor and Engineer-in-Charge shall not entertain any claim whatsoever in this respect.
- (ii) The contractor shall deposit Government Royalty and obtain necessary permit for supply of the sand, stone chips, red bajri, sand stone, river bed materials etc. from local authorities, if those are directly procured from quarry sites.

In case materials are procured from secondary sources, certificates of quarry owners to the effect of payment of royalties and Cess would have to be furnished. In absence of such certificates towards payment of Royalties and Cess such components shall be deducted from the contractor's bills at prescribed rates and deposited through 'GRIPS' portal or otherwise, in the designated Government Treasuries/PAO.

If pursuant to or under any law, notification or order, any Royalty, Cess or the like becomes payable by the implementing Department and does not at any time become payable by the contractor to the State Government/Local appropriate authorities in respect of any material used by the contractor in the works then in such a case, it shall be lawful to the Department and it will have the right and be entitled to recover the amount paid in the circumstances as aforesaid from dues of the contractor.

Clause 35.

- (i) All tendered rates shall be inclusive of statutory taxes and levies payable under respective statutes. However, if any further tax or cess is imposed by Statute, after the last stipulated date for the receipt of tender including extensions if any and the contractor thereupon necessarily and properly pays such taxes/levies/cess, the contractor shall be reimbursed the amount so paid. Provided such payments, if any, is not, in the opinion of the Engineer-in-charge (whose decision shall be final and binding on the contractor) attributable to delay in execution of work within the control of the contractor.
- (ii) The contractor shall keep necessary books of accounts and other documents for the purpose of this condition as may be necessary and shall allow inspection of the same by a duly authorized representative of the Department and/or the Engineer-in-Charge

and further shall furnish such other information/document as the Engineer-in-Charge may require from time to time.

- (iii) The contractor shall, within a period of 30 days of the imposition of any such further tax or levy or cess, give a written notice thereof to the Engineer-in-Charge that the same is given pursuant to this condition, together with all necessary information relating thereto.

Clause 36. Without prejudice to any of the rights or remedies under this contract, if the contractor dies, the Engineer-in-charge shall have the option of terminating the contract without compensation to the contractor, but would be liable to clear full dues and claims on work done to his/her legal successor/s.

Clause 37. The contractor shall not be permitted to tender for works in which his near relative is posted as in any capacity between the grades of the Executive Engineer and Junior Engineer (both inclusive). He shall also intimate the names of persons who are working with him/her in any capacity or are subsequently employed by him/her and who are near relatives to any Official in the Institute. Any breach of this condition by the contractor would render him/her liable to be removed from the approved list of contractors of the Department. If however the contractor is registered in any other Department, he/she shall be debarred from tendering in the Department for any breach of this condition.

NOTE: By the term "near relatives" is meant wife, husband, own parents and grandparents, own children and grandchildren, own brothers and sisters, own uncles, aunts and first cousins and their corresponding in-laws.

Clause 38. No engineer of Gazetted Rank or other Gazetted Officer employed in engineering or administrative duties in the Government shall work as a contractor or employee of a contractor for a period of one year after his/her retirement from Government service without the previous permission of Government in writing. This contract is liable to be cancelled if either the contractor or any of his employees is found at any time to be such a person who had not obtained the permission of Government as aforesaid, before submission of the tender or engagement in the contractor's service, as the case may be.

Clause 39. The work (whether fully constructed or not) and all materials, machines, tools and plants, scaffolding, temporary buildings and other things connected therewith shall be at the risk of the contractor until the work has been delivered to the Engineer-in-Charge and a certificate from him/her to that effect obtained. In the event of the work or any materials properly brought to the site for incorporation in the work being damaged or destroyed in consequence of hostilities or warlike operation, the contractor shall when ordered (in writing) by the Engineer-in-Charge to remove any debris from the site, collect and properly stack or remove in store all serviceable materials salvaged from the damaged work and shall be paid at the contract rates in accordance with the provision of this agreement for the work of clearing the site of debris, stacking or removal of serviceable material and for reconstruction of all works ordered by the Engineer-in-Charge, such payments being in addition to compensation up to the value of the work originally executed before being damaged or destroyed and not paid for. In case of works damaged or destroyed but not already measured and paid for, the compensation shall be assessed by the Engineer-in-Charge concerned. The contractor shall be paid for the damages/destruction suffered and for the restoring the material at the rate based on analysis of rates tendered for in accordance with the provision of the contract. The certificate of the Engineer-in-Charge regarding the quality and quantity of materials and the purpose for which they were collected shall be final and binding on all parties to this contract.

Provided always that no compensation shall be payable for any loss in consequence of hostilities or warlike operations (a) unless the contractor had taken all such precautions against air raid as are deemed necessary by the Air Force Officers or the Engineer-in-Charge (b) for any material etc. not on the site of the work or for any tools, plant, machinery, scaffolding, temporary building and other things not intended for the work.

In the event of the contractor having to carry out reconstruction as aforesaid, he/she shall be allowed such extension of time for its completion as is considered reasonable by the Engineer-in-charge.

Clause 40. The contractor shall comply with the provisions of the Apprentices Act, 1961 and the Apprenticeship Rules, 1992 and orders issued thereunder from time to time. If

he/she fails to do so, his/her failure will be a breach of the contract and the Engineer-in-Charge may, in his/her discretion, cancel the contract. The contractor shall also be liable for any pecuniary liability arising on account of any violation by him/her of the provisions of the said Act.

Clause 41. Procedure For Suspension and Debarment of Supplier, Contractors and Consultants

The procedure as laid down below shall govern the suspension/debarment of Suppliers/Contractors/Consultants (Contractors for brevity) involved in Government procurement for offences or violations committed during competitive bidding and contract implementation, for the works under different Departments of Government of West Bengal.

Grounds for Suspension and Debarment:-

- (1) Submission of eligibility requirements containing false information or falsified documents.
- (2) Submission of Bids that contain false information or falsified documents, or the concealment of such information in the Bids in order to influence the outcome of eligibility screening or any other stage of the bidding process.
- (3) Unauthorized use of one's name/digital signature certificate for the purpose of bidding process.
- (4) Any documented unsolicited attempt by a bidder (**A Person/Contractor/Agency /Joint Venture/Consortium/Corporation participating in the procurement process and/or a person / Contractor / Agency / Joint Venture / Consortium / Corporation having an agreement/contract for any procurement with the department shall be referred as Bidder**) unduly influencing the outcome of the bidding in his favour.
- (5) Refusal or failure to post a self-declaration to the effect of any previous debarment imposed by any other department of State Government and/or Central Government.
- (6) All other acts that tend to defeat the purpose of the competitive bidding such as lodging false complain about any Bidder, lodging false complain about any Officer duly authorized by the Department, restraining any interested bidder to participate in the bidding process, etc.
- (7) Assignment and subcontracting of the contract or any part thereof without prior written approval of the procuring entity.
- (8) Whenever adverse reports related to adverse performance, misbehaviour, direct or indirect involvement in threatening, making false complaints etc. damaging the reputation of the department or any other type complaint considered fit by the competent authority of the department, are received from more than one Officer or on more than one occasion from individual Officer.
- (9) Refusal or failure to post the required performance security / earnest money within the prescribed time without justifiable cause.
- (10) Failure in deployment of Technical Personnel, Engineers and/or Work Supervisor having requisite license / supervisor certificate of competency as specified in the contract.
- (11) Refusal to accept an award after issuance of "Letter of Acceptance" or enter into contract with the Government without justifiable cause.
- (12) Failure of the Contractor, due solely to his fault or negligence, to mobilize and start work or performance within the specified period as mentioned in the "Letter of Acceptance", "Letter of Acceptance cum Work Order", "Work Order", "Notice to Proceed", "Award of Contract", etc.
- (13) Failure by the Contractor to fully and faithfully comply with its contractual obligations without valid cause, or failure by the Contractor to comply with any written lawful instruction of the Procuring Entity/Authority (the Officer authorized by the Administrative Department, Government of West Bengal for procurement) or its representative(s) pursuant to the implementation of the Contract.
- (14) For the procurement of Consultancy Service/Contracts, poor performance by the Consultant of his services arising from his fault or negligence. Any of the following acts by the Consultant shall be construed as poor performance.
 - (i) Non deployment of competent technical personnel, competent Engineers and/or work supervisors;
 - (ii) Non-deployment of committed equipment, facilities, support staff and manpower;
 - (iii) Defective design resulting in substantial corrective works in design and/or construction;

- (iv) Failure to deliver critical outputs due to consultant's fault or negligence;
 - (v) Specifying materials which are inappropriate and substandard or way above acceptable standards leading to high procurement cost;
 - (vi) Allowing defective workmanship or works by the Contractor being supervised by the Consultant.
- (15) For the procurement of goods, unsatisfactory progress in the delivery of the goods by the manufacturer, supplier, or distributor arising from his fault or negligence and/or unsatisfactory or inferior quality of goods, vis-à-vis as laid down in the contract.
- (16) Willful or deliberate abandonment or non-performance of the project or Contract by the Contractor resulting in substantial breach thereof without lawful and/or just cause.

CATEGORY OF OFFENCE :-

- (A) First degree of offence: 1 to 16 of the above Clause-41 to be considered as First degree of offence.
- (B) Second degree of offence: Any one of the offences as mentioned under 'A' above, committed by a particular Bidder/Contractor/Supplier on more than one occasion, be considered as Second degree of offence.

In addition to the penalty of suspension/debarment, the bid security / earnest money posted by the concerned Bidder or prospective Bidder shall also be forfeited.

PENALTY FOR OFFENCE :-

- (I) For committing First degree of offence: Disqualifying a Bidder from participating in any procurement process under the Administrative Department of Government of West Bengal up to 2 (two) years.
- (II) For committing Second degree of offence: Disqualifying a Bidder from participating in any procurement process under the Administrative Department of Government of West Bengal up to 3 (three) years.

PROCEDURE OF SUSPENSION AND DEBARMENT DURING THE PROCUREMENT PROCESS

- (1) Initiation of Action, Notification and Hearings:

Any Bidder or procurement authority on his own or based on any other information made available to him may invite the process of suspension/debarment proceedings by filing a written application with the **Bid Evaluation Committee** and such filing of written application has to be done within forty eight hours from the date and time of publication of the result of technical evaluation of any bid.

 - (a) Upon verification of the existence of grounds for suspension/debarment, the Chairperson of **Bid Evaluation Committee** shall immediately notify the bidder concerned either electronically through his registered e-mail or in writing to his postal address, advising him that:
 - i) A complaint has been filed against him and prima facie material has been found, which may lead to suspension/debarment.
 - ii) He has been recommended to be placed under suspension/debarment by the suspension committee (as constituted by the respective Administrative Department) stating the ground for such.
 - iii) The said bidder, within three days from the date of issue of such notification by the Bid Evaluation Committee, may approach the Chairperson of Suspension Committee by submitting all required documents in his favour for hearing. Any application made thereafter would not be entertained. Such notice should contain the e-mail id and the postal address of the Chairperson of the Suspension Committee.
 - (b) After receiving the recommendation for suspension from Bid Evaluation Committee, Suspension Committee shall issue a notice to the alleged bidder electronically through his registered e-mail id, to submit all relevant documents in support of his defense within three working days after issuance of the notice of the Suspension Committee. The Suspension Committee will conduct the hearing within seven working days from the date of receipt of the documents from the alleged bidder. If no appeal has been received from the alleged bidder or if after hearing sufficient ground for suspension is found, the Suspension Committee, will suspend the alleged bidder from participating in the procurement process under the Administrative Department for a period of six months from the date of issuance of suspension order. The Chairperson of the

Suspension Committee shall issue the suspension order within seven days from the last date of hearing and shall notify the bidder concerned either electronically through his registered e-mail id or in writing to his postal address. The Chairperson of Suspension Committee shall also inform the decision to all concerned.

If sufficient reason for suspension is not found, the Suspension Committee would reject the recommendation of Bid Evaluation Committee and would allow the bidder to take part in the tendering process.

If the bidder is suspended, the Suspension Committee would recommend debarment of the bidder and forward the case with all documents to the Debarment Committee for further action.

- (c) The Debarment Committee upon receipt of the recommendation of the Suspension Committee shall scrutinize the documents. The Debarment Committee will hold a hearing of the alleged bidder and issue necessary order within ten working days from the last date of hearing. The Debarment Committee, if satisfied after hearing, shall forward the case to the Department for orders of Debarment. The Department in due course will issue Debarment Order disqualifying/prohibiting the erring bidder from participating in the bidding/procurement of all projects under the Administrative Department for a specified period. The alleged bidder shall be intimated accordingly either electronically through his registered e-mail id or in writing to his postal address. Otherwise the Debarment Committee may reject the recommendation of the Suspension Committee. The Chairperson of Debarment Committee shall also inform the decision to all concerned.

PROCEDURE FOR DEBARMENT DURING THE CONTRACT IMPLEMENTATION STAGE:-

- (A) Upon termination of contract due to default of the Bidder, the Engineer-in-Charge shall recommend for debarment to the Bid Evaluation Committee. The Bid Evaluation Committee shall submit his recommendation of debarment of the alleged Bidder along with a detailed report stating clearly the reasons for debarment to the Debarment Committee within 30 (thirty) days from the date of termination of contract. The alleged Bidder shall be intimated accordingly either electronically to his registered e-mail id or in writing to his postal address. The Chairperson of Bid Evaluation Committee shall also inform the decision to all concerned.
- (B) The Debarment Committee upon receipt of the recommendation of Bid Evaluation Committee shall scrutinize the documents. The Debarment Committee will hold a hearing about the matter from the Bidder and issue necessary order within 10 (ten) working days from the last date of hearing. The Debarment Committee, if satisfied after hearing, shall forward the case to the Department for the order of debarment. The Department in due course will issue debarment order disqualifying/prohibiting the erring Bidder from participating in the bidding/procurement of all projects under the Administrative Department, Government of West Bengal for a specified period. The alleged Bidder shall be intimated accordingly either electronically to his registered e-mail id or in writing to his postal address. Otherwise the Debarment Committee may reject the recommendation of the Bid Evaluation Committee. The Chairperson of Debarment Committee shall also inform the decision to all concerned.

STATUS OF SUSPENDED / DEBARRED BIDDER :-

- (a) Bidder placed under Suspension/Debarment by the competent authority will not be allowed to participate in any procurement process under the Administrative Department within the period of suspension/debarment. The earnest money of the suspended Bidder shall stand forfeited to the Government.
- (b) If the Suspension/Debarment Order is issued prior to the date of issue of "Letter of Acceptance", "Letter of Acceptance cum Work Order", "Work Order", "Notice to Proceed", "Award of Contract" etc. for any Bid, the Suspended/Debarred Bidder shall not be qualified for Award for the said Bid and such Procurement Process will be dealt with as per existing norms by simply excluding the erring Bidder.
- (c) If the Suspension/Debarment Order is issued after award of a Government Project/Contract to the Debarred Bidder, the awarded Project/Contract shall not be prejudiced by the said Order provided that the said offence(s) committed by the Debarred Bidder is not connected with the awarded project/contract.

Clause 42. Executive Engineer of the concerned Division will be the Engineer-in-Charge in respect of the Tender contract and all correspondences concerning rates, claims, change

in specifications and/or design and similar important matters will be valid only if accepted/recommended by the Engineer-in-Charge. If any correspondence of above tender is made with Officers other than the Engineer-in-charge for speedy execution of works, the same will not be valid unless copies are sent to the Engineer-in-Charge and also approved by him. Instructions given by the Assistant Engineer and the Junior Engineer on behalf of the Engineer-in-Charge (who have been authorized to carry out the work on behalf of the Engineer-in-Charge) regarding specification, supervision, approval of materials and workmanship shall also be valid. In case of dispute relating to specification and work, the decision of Engineer-in-Charge shall be final and binding. The Engineer-in-Charge will however invariably take decisions relating to tender contract or as mentioned in the relevant rules and clauses of the contract document with the approval of the Tender Accepting Authority.

Clause 43. Acceptance of the Tender will rest with the Tender Accepting Authority without assigning reason thereof to the bidder. The accepting authority reserves the right to reject any or all of the tenders without assigning any reason thereof to the bidder/contractor.

Clause 44. In the event of acceptance of Lowest Rate, no multiple Lowest Rates will be considered for acceptance by the Department. In such cases, the Tender will be cancelled.

Clause 45. In the event of conflicting different clauses, the clauses in the e-NIT will prevail.

Clause 46. Engineer-in-Charge shall not entertain any claim whatsoever from the Contractor for payment of compensation on account of idle labour on such grounds including non-possession of encumbrance free land.

Clause 47. Engineer-in-Charge shall not be held liable for any compensation due to machines becoming idle or any circumstances including untimely rains, other natural calamities, like strikes etc.

Clause 48. Imposition of any Duty/Tax/Octroi/Royalty etc. whatsoever of its nature (after work order / commencement and before final completion of the work) is to be borne by the contractor/bidder. Original challan of those materials, which are procured by the bidder, may be asked to be submitted for verification.

Clause 49. Cess @ 1% or as amended time to time of the cost of construction works shall be deducted from the Gross value of all Works Bill in terms of Finance Department order. Also it is instructed to register his/her establishment under the Act, with the competent registering Authority, i.e. Assistant Labour Commissioner / Deputy Labour Commissioner of the region.

Clause 50. No Mobilization/Secured Advance will be allowed unless specified otherwise in the contract.

Clause 51. Valid PAN issued by the Income Tax Department, Government of India, valid 15 digit Goods and Services Tax Payer Identification Number (GSTIN) under GST Act 2017, Cess, Royalty of Sand, Stone Chips, Stone Metal Gravel, Boulders, Forest product etc., Toll Tax, Income Tax, Ferry Charges and other Local Taxes, if any, are to be paid by the Contractor/Bidder. No extra payment will be made as a reimbursement or as compensation for these. The rates of supply and finished work items are inclusive of these taxes and charges.

Clause 52. All working Tools & Plants, Scaffolding, Construction of Vats & Platforms and arrangement of Labour Camps will have to be arranged by the Contractor at his/her own cost.

Clause 53. The Contractor shall supply Mazdoors, Bamboos, Ropes, Pegs, Flags etc. for laying out the work and for taking and checking measurements for which no extra payment will be made.

Clause 54. The Contractor/Bidder should see the site of works and Tender Documents, Drawings etc. before submitting e-Tender and satisfy himself/herself regarding the condition and nature of works and ascertain difficulties that might be encountered in executing the work, carrying materials to the site of work, availability of drinking water and

other human requirements & security etc. Work on river banks may be interrupted due to a number of unforeseen reasons e.g. sudden rises in water levels, inundation during flood, inaccessibility of working site for carriage of materials. Engineer-in Charge may order the contractor to suspend work that may be subjected to damage by climate conditions. No claim will be entertained on this account. There may be variation in alignment, height of embankment or depth of cutting, location of revetment, structures etc. due to change of topography, river condition and local requirements etc. between the preparation and execution of the scheme for which the tendered rate and contract will not stand invalid. The Contractor will not be entitled to any claim or extra rate on any of these accounts.

Clause 55. A machine page numbered Site Order Book (with triplicate copy) will have to be maintained at site by the Contractor and the same has got to be issued from the Engineer-in-Charge before commencement of work. Instructions given by inspecting officers not below the rank of Assistant Engineer will be recorded in this book and the contractor must note down the action to be taken by him in this connection as quickly as possible.

Clause 56. The work will have to be completed within the time mentioned in the e-NIT. A suitable Work Programme based on time allowed for completion of work as per e-NIT is to be submitted by the contractor within 7 (seven) days from the date of receipt of work order which should satisfy the time limit of completion. The contractor should inform in writing, within 7 (seven) days from the date of receipt of work order, the names of his authorized representatives who are to remain present at site daily during work execution who will receive instructions of the work, sign measurement book, bills and other Government papers etc.

Clause 57. No compensation for idle labour, establishment charge or on other reasons such as variation of price indices etc. will be entertained.

Clause 58. All possible precautions should be taken for the safety of the people and work force deployed at worksite as per safety rule in force. Contractor will remain responsible for his labour in respect of his liabilities under the Workmen's Compensation Act etc. He must deal with such cases as promptly as possible. Proper road signs as per PWD practice or any other sign board for safety purpose as per requirement by the concerned Administrative Department will have to be erected by the Contractor at his own cost while operating in public thoroughfares.

Clause 59. The Contractor will have to maintain qualified technical employees and/or Apprentices at site as per prevailing Apprentice Act or as stipulated in the contract.

Clause 60. The Contractor will have to accept the Work Programme as per modifications and priority of work fixed by the Engineer-in-Charge so that most vulnerable reach and/or vulnerable items are completed before impending monsoon or rise in river flood water level or for other suitable reasons.

Clause 61. Quantities of different items of work mentioned in the tender schedule or in work order are only tentative. In actual work, these may vary considerably. Payment will be made on the basis of works actually done in different items and no claim will be entertained for reduction of quantities in some items or for omission of some items. For execution of quantitative excess in any item or supplementary new items of work as decided by the Department, approval of the Superintending Engineer / Chief Engineer / Government would be required, depending on whosoever be the Tender Accepting Authority, before making such payment.

Clause 62. In order to cope up with the present system of e-billing, supply of departmental materials is generally not allowed. However, if in special circumstances, Departmental materials may be issued to the Contractor/Bidder to the extent of requirements as assessed, those may be recovered from the Running Account Bill and/or Final Bill, as applicable.

Clause 63. Any material brought to site by the contractor is subject to approval of the Engineer-in-Charge. The rejected materials must be removed by the contractor from the site at his own cost within 24 hours of issue of the order to that effect. The rates in the schedule are inclusive of cost and carriage of all materials to worksite. The materials will have to be supplied in phase with due intimation to the Assistant Engineer concerned in

conformity with the progress of the work. For special type of materials, i.e. Geo Synthetic Bags, HDPE Bags, Geo Textile Filter, Geo Jute Filter etc., if any, relevant Data Sheet containing the name of the Manufacturers, Test Report etc. will also be submitted on each occasion. Engineer-in-Charge may conduct independent test on the samples drawn randomly before according approval for using the materials at site. In this regard decision of Engineer-in-Charge shall be final and binding.

Clause 64. For all items of contract jobs requiring skilled labour, the contractor shall have to employ 70% (Seventy Percent) of skilled labour locally. In case the Contractor fails to recruit skilled local labour, the Contractor shall employ skilled labour locally secured by Government in the manner indicated above. For bridge works, highly technical works of labour, the contractor may, with the prior permission in writing of the Engineer-in-charge to whom full facts must be placed for such permission, import and employ skilled labour up to 30% (Thirty Percent) of the total requirement. In this case the expression "Imported labour" shall mean "labour imported primarily from other States and secondarily, from the distant districts of the State of West Bengal." In case where the contractor fails to secure unskilled local labour or to engage imported labour, the contractor shall employ labour locally recruited by Government or labour imported by Government at the rate to be decided by the Superintending Engineer of the works concerned, whose decision as to the circumstances in which employment of such labour is of mutual advantage to Government and the contractor, will be final and binding on the parties.

Clause 65. All queries and disputes arising out of the works tender contract is to be brought to the notice of the Chairman of the 'Department Dispute Redressal Committee' in writing for decision within 15 days.

Clause 66. The contractor shall have to make his own arrangements for water, both for the work and use by his workers, etc., for road rollers and for all tools and plant, etc., required on the work.

Clause 67. Contractor will be responsible for the payments of all water charges payable to the Corporation Municipality / Panchayat or any other water works authority including a Government Department concerned.

Clause 68. If the contractors shall desire an extension of the time for completion of the work under clause 5 of the contract, no application for such extension will be entertained if it is not received in sufficient time to allow the Executive Engineer to consider it and the Contractor will be responsible for the consequences arising out of his negligence in this respect.

Clause 69. The Contractor will have to leave ducts in walls and floors to run conduit or cables, where necessary, and he will not be entitled to any extra payment on this account.

Clause 70. Contractors in the course of their work should understand that all materials obtained in the work of Dismantling, Excavation, etc., will be considered Government property and will be disposed of to the best advantage of Government.

Clause 71. In case of very special case of circumstances, if any Departmental materials are issued, there may be delay in obtaining the materials by the Department and the Contractor is, therefore, required to keep himself/herself in touch with the day to day position regarding the supply of materials from the Engineer-in-charge and to so adjust the progress of the work that his labour may not remain idle nor may there be any other claim due to or arising from delay in obtaining the materials. It should be clearly understood that no claim whatsoever shall be entertained by the Department on account of delay in supplying materials.

Clause 72. No compensation for any damage done by rain or traffic during the execution of the work will be made.

Clause 73. Whenever a work is carried out in municipal area, electric lights or electric danger signals whenever available shall be provided by the contractors on the barriers as well as paraffin lights. Facilities for the electric connection will be made by this Department but the Contractor will bear all the expenses.

Clause 74. The Contractor should quote through rate inclusive of cost of materials and carriage to place of working.

Clause 75. The Contractors should give complete specifications showing the method of execution and the quantity and quality of materials they intend to use per hundred square metre area.

Clause 76. In cases where water is used by the Contractor he will be required to deposit in advance with the Executive Engineer the charges for water which are to be calculated in accordance with the schedule of miscellaneous rates in the Canal Act.

Clause 77. It must be clearly understood by the Contractor that no claim on account of enhanced rates on those already accepted, due to fluctuations arising out of any situation will be entertained during the currency of this contract for the work as per schedule attached to the agreement and the additional work, if any, under Clause 12 of the contract.

Clause 78. In the event of emergency the Contractor will be required to pay his labour everyday and if this is not done, Government shall make the requisite payments as would have been paid by the contractor and recover the cost from the contractors.

INCONVENIENCE OF THE PUBLIC

Clause 79. The Contractor(s) shall not deposit material on any site which will seriously inconvenience the public. The Engineer-in-charge may require the Contractor(s) to remove any materials, which are considered by him to be a danger or inconvenience to the public or cause them to be removed at the contractor's cost.

Clause 80. The Contractor undertakes to have the site clean, free from rubbish to the satisfaction of the Engineer-in-charge. All surplus materials, rubbish etc. will be removed to the places fixed by the Engineer-in-charge and nothing extra will be paid.

Clause 81. The Contractor shall not allow any rubbish or debris to remain on the premises during or after repairs, but shall remove the same and keep the place neat and tidy during the progress of the work. The Engineer-in-charge may get the site premises cleared of debris etc. And recover the cost from the bill of the contractor, if the latter shows slackness in observing this clause.

Clause-82. Construction materials brought at site shall not be stacked at random. The contractor shall stack all these materials as directed by the Engineer-in-charge.

INTERPRETATION OF CLAUSES

Governor means the Governor of the State of West Bengal and his/her successors.

The Government means Government in the concerned Works Department.

The Department means the Secretary of the concerned Department or his/her authorized representative.

The Divisional Officer means the Executive Engineer of the concerned Works Department for the time being of the Division concerned, also identified as the Engineer-in-Charge.

The Sub-divisional Officer means the Assistant Engineer of the concerned Works Department for the time being of the Sub-division concerned. Junior Engineer equivalent to Section Officer of the Section concerned.

Superintending Engineer in the concerned works Department is the final Authority regarding Schedule of Rates and also the acceptance of Non-scheduled item rates arrived on the basis of market rate analysis for supplementary items, and the authority for approval of Reduced Rates and Part Rates. He is also the Tender Accepting Authority for works of value above Rs. 45.00 lakh and up to Rs. 2.00 crore under existing delegated power.

Chief Engineer in the concerned Works Department is the technical head of the Directorate and is also the Tender Accepting Authority for all works of value above Rs.

2.00 crore. Excess work over individual items comprising the original tender may be exceeded beyond 10% with the approval of concerned tender accepting authority and verified by the Superintending Engineer / Chief Engineer subject to the total value of work upon completion is within the technically sanctioned cost and that there is no major deviation from original scope of work in the tender. **Any supplementary tender/item/work in connection with the main tender is to be taken up with the approval of the Tender Accepting Authority not below the rank of Executive Engineer.** Such supplementary tenders above 10% of BOQ are to be executed only with the approval of appropriate Government irrespective of the value of tender.

Words importing the singular number only include the plural number and vice versa.

Irrespective of the accepting authority, Divisional officer shall be the authority signing agreement for all tenders of value more than Rs. 3.00 lakh up to any amount on behalf of the State.

Schedule showing (approximately) materials to be supplied by the Engineer-in-Charge under clause 10:

Particulars	Rates at which the materials will be charged to the contractor			Place of delivery
	Unit	Rs.	P.	

Note 1- The person or firm submitting the tender should see that the rates in the above schedule are filled up by the Engineer-in-charge on the issue of the form prior to the submission of the tender.

(Name in full)
 *Signature of Contractor/Agency
 with official seal containing
 Principal office address

(Name in full)
 *Signature of Executive Engineer/
Assistant Engineer
 on behalf of the Governor of the
 State of West Bengal with official seal
 containing designation & address

* To be authenticated on each and every page of the contract document by all parties.